

DESCRIPTION: Ultrasonic Sensor
MODEL: MSW-A1440H09TR

FEATURES

1. Dual Use: Transmitter and Receiver
2. Rugged sealed construction.
3. Cylindrical design allows for installation in various applications.
4. Short-range measurement capabilities.

APPLICATIONS

1. Level measurement
2. Automation control
3. Proximity
4. Obstacle avoidance
5. Robotics

PICTURE:

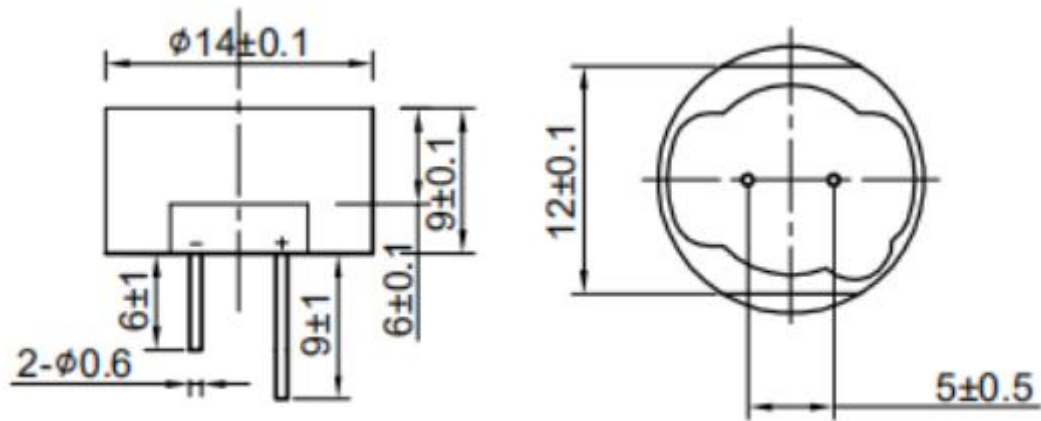


SPECIFICATIONS

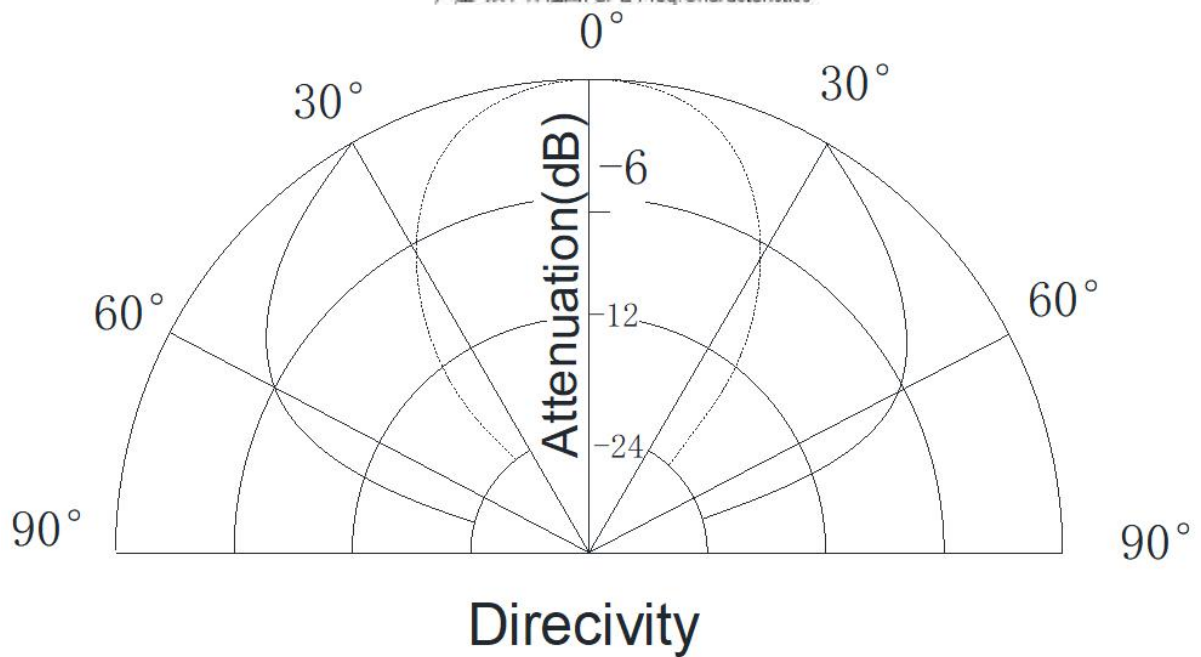
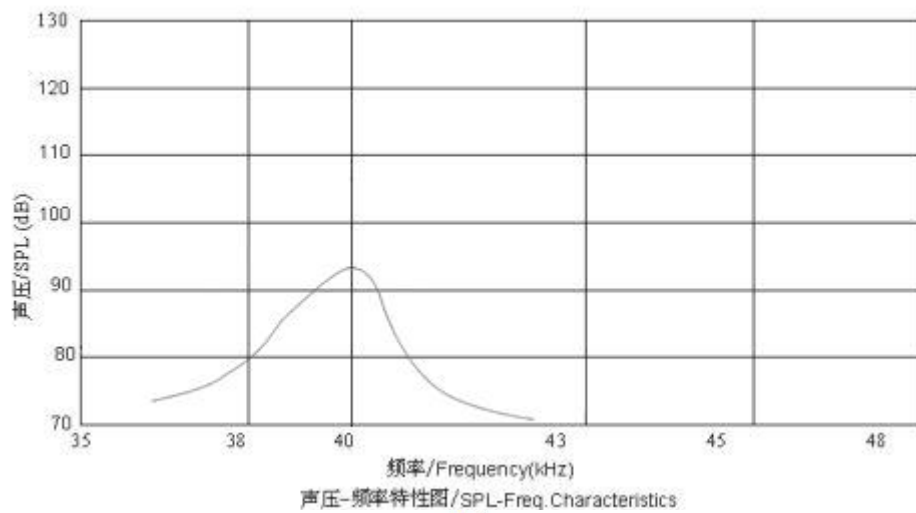
Item	Value
Using method	Transmitter and Receiver
Center frequency	40±1.5KHz(PV80A)
Transmitting Sound Pressure Level	≥90dB
Capacitance	2200±20%pF(at 1.0KHz)
Horizontal angle	120±15°(-6dB)
Vertical angle	65±15°(-6dB)
Max.Input Voltage	150Vp-p(40KHz)
Detectable range	40cm~650cm
Ring time	≤1.8ms (elmos52409)
Echo	≥ 120(test plate φ 75 × 1000mm PVC pipe, distance 1m)
Impedance	≤3000Ω
Mean time between failures	5000h
Terminal	Pin
Housing material	Aluminum
Protection Class	IP68
Operating Temperature	-40~+80℃
Storage Temperature	-40~+85℃

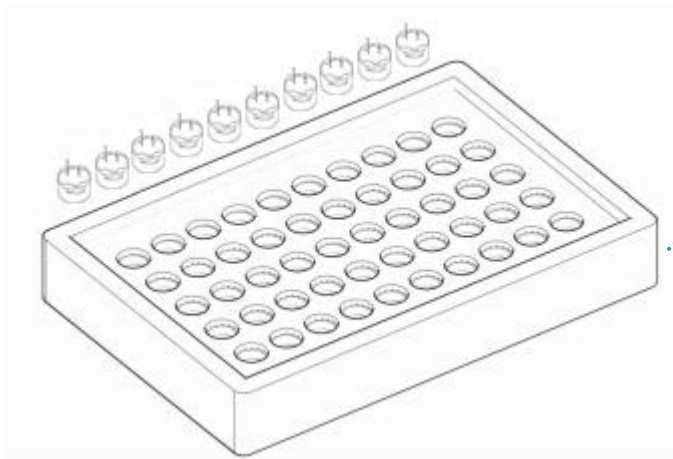
MECHANICAL DRAWING

units:mm

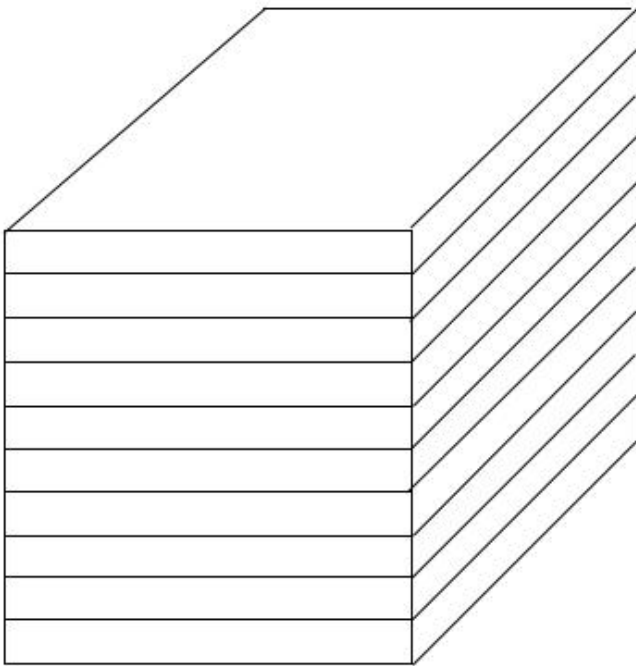


BEAM PATTERN

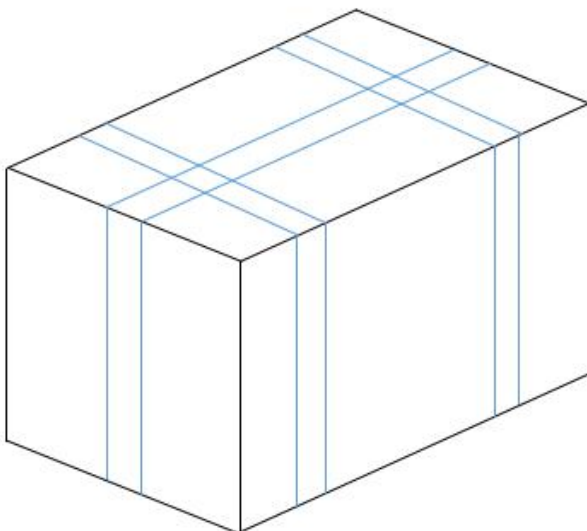


PACKING

50PCS/BOX
BOX SIZE:23.5*13.5*3CM



10BOXES/STACK, TOTAL 500PCS
STACK SIZE:23.5*13.5*31CM



1000PCS/CARTON
CARTON SIZE:28*28.5*24CM