

**DESCRIPTION:** Ultrasonic Speaker  
**MODEL:** MA4120

### FEATURES

1. Waterproof
2. Good consistency
3. Good performance consistency

### APPLICATIONS

1. Repel animals, For example: mice, snakes, mosquitoes, insects, etc.

### PICTURE:

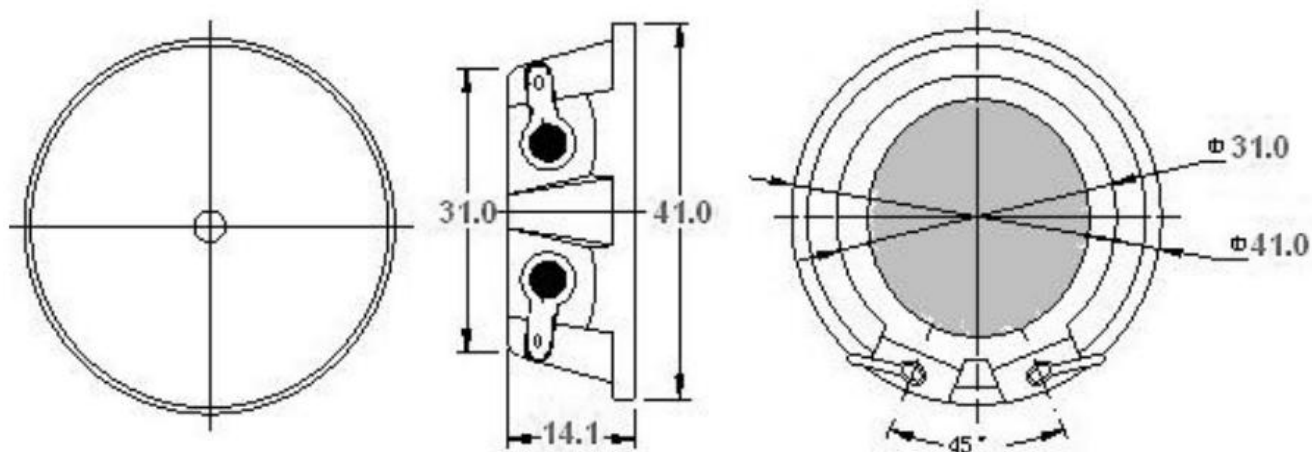


### SPECIFICATIONS

Item	Value
Operating Frequency	25±5KHz
Resonant Frequency Range	2.5~60KHz
Operating Volt.	2.21~11.32Vrms
Rated Volt.	8.48Vrms
Capacitance	100000±30%pF(at 100Hz)
Sound pressure level	≥100dB(at 8.48Vrms sine wave /10cm)
Current consumption	≤2mA(at 8.48Vrms)
Dimension	Φ41 x H14.1
Housing material	ABS
Paper Cone	Mylar cone
Operating temp.	-20 ~ +70°C
Storage temp.	-30 ~ +80°C

### MECHANICAL DRAWING

units:mm

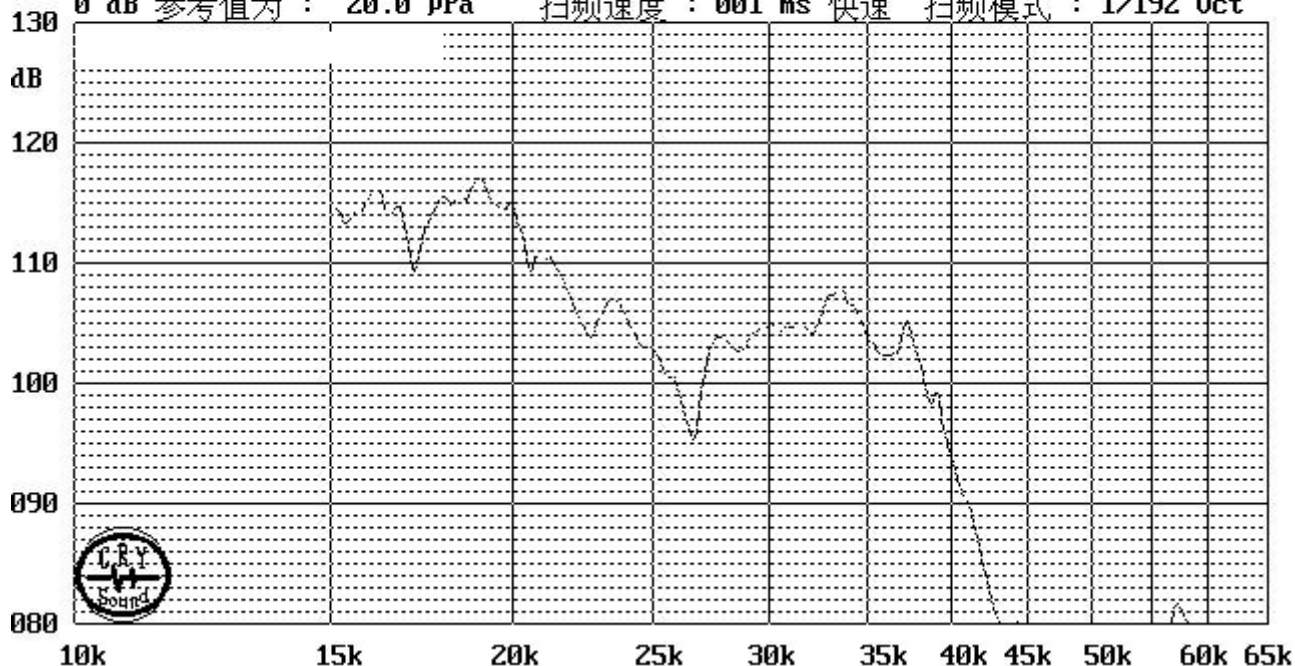


### FREQUENCY RESPONSE CURVE

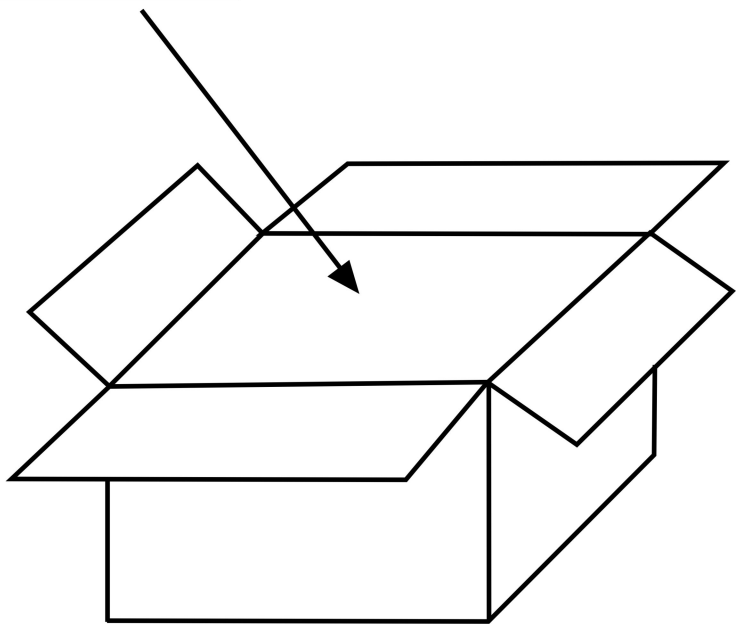
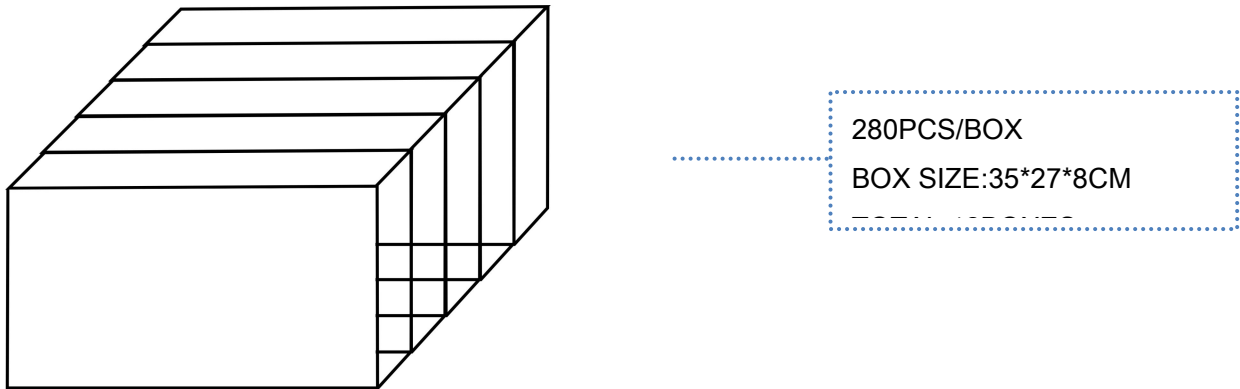
01/24/2022 15:36	CRY6125FH 蜂鸣器电声参数测试仪 U91	无框 滤波器无
------------------	--------------------------	---------

型号: \_\_\_\_\_ → 发送 T: \_\_\_\_\_ 接收 R: \_\_\_\_\_ 阻抗 Z: \_\_\_\_\_  
 电压: 8485 mV Fc= 40000Hz 094.03dB Fc= 40000Hz \_\_\_\_\_ dB Fv= \_\_\_\_\_ Hz \_\_\_\_\_ Ω  
 正弦波 Fo= 18904Hz 116.90dB Fo= \_\_\_\_\_ Hz \_\_\_\_\_ dB Fo= \_\_\_\_\_ Hz \_\_\_\_\_ Ω

0 dB 参考值为 : 20.0 μPa 扫频速度 : 001 ms 快速 扫频模式 : 1/192 Oct



### PACKAGING DETAILS



TOTAL 1400PCS  
CARTON SIZE:41.5\*36\*28.6CM