

**DESCRIPTION:** Ultrasonic Sensor  
**MODEL:** MSO-A1240H09T

### FEATURES

Transmitter: "T" mark on housing  
 Compact and light weight.  
 High sensitivity and sound pressure  
 Less power consumption  
 High reliability

**PICTURE:**

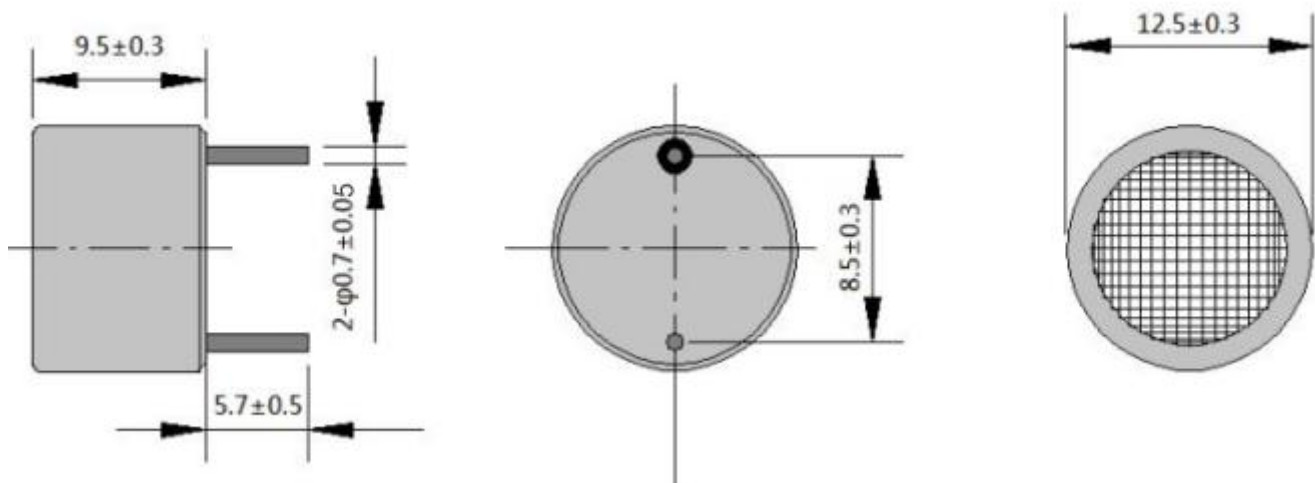


### SPECIFICATIONS

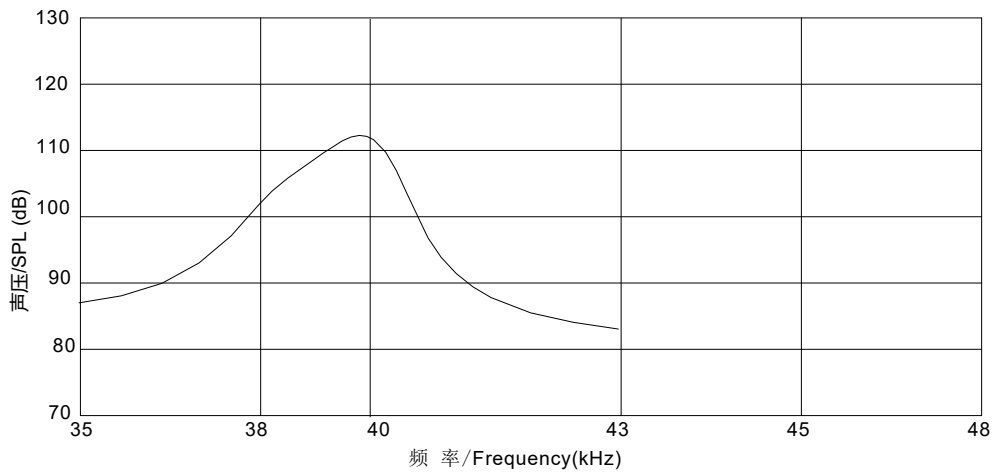
Item	Value
Using method	Transmitter
Center frequency	40±1.0KHZ
Sound Pressure Level	≥115dB
Capacitance	2200±25%pF at 1KHz
Directivity	75°±15° (-6dB )
Maximum input voltage	40Vp-p
Detectable range	0-1200cm
Housing material	Aluminum
Operating Temperature	-20~+80℃
Storage Temperature	-20~+80℃

### MECHANICAL DRAWING

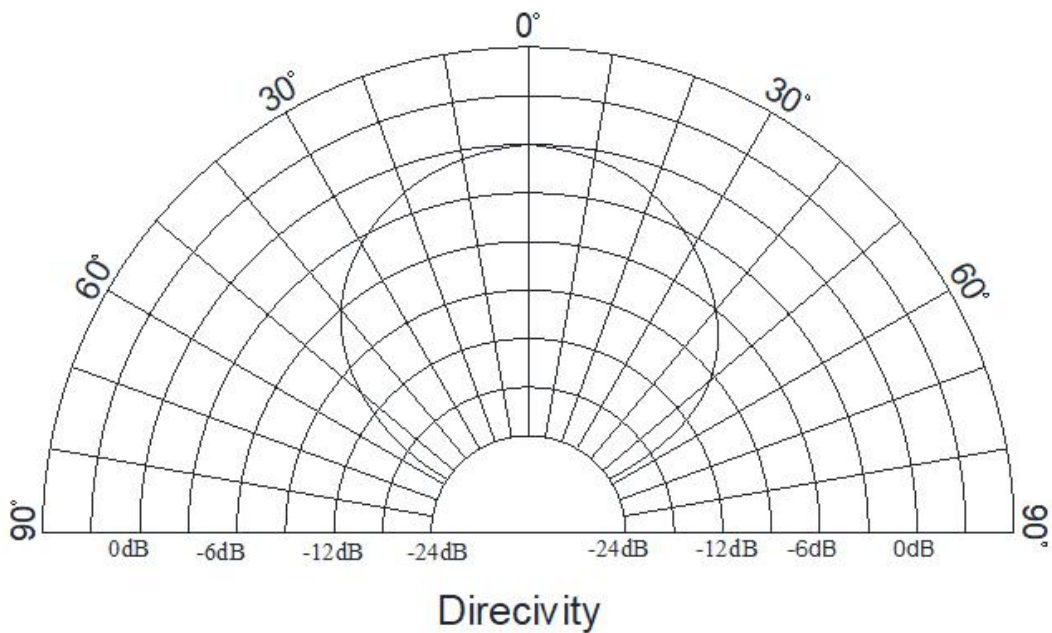
units:mm



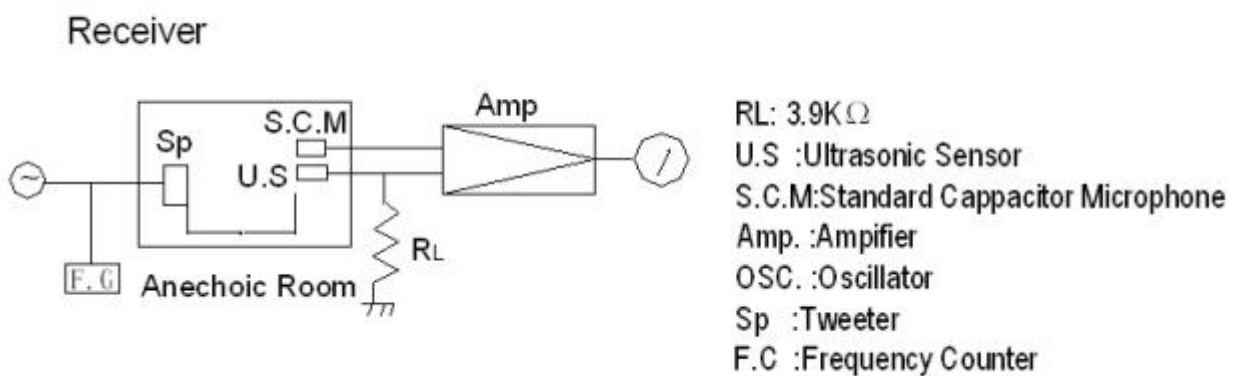
## BEAM PATTERN



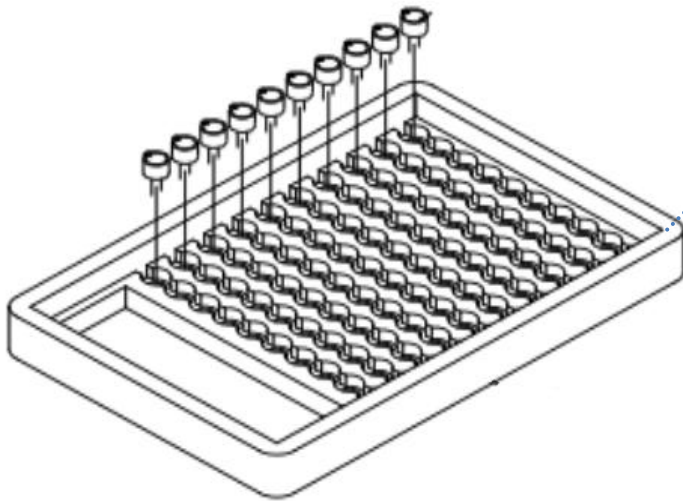
声压-频率特性图/SPL-Frequency Characteristics



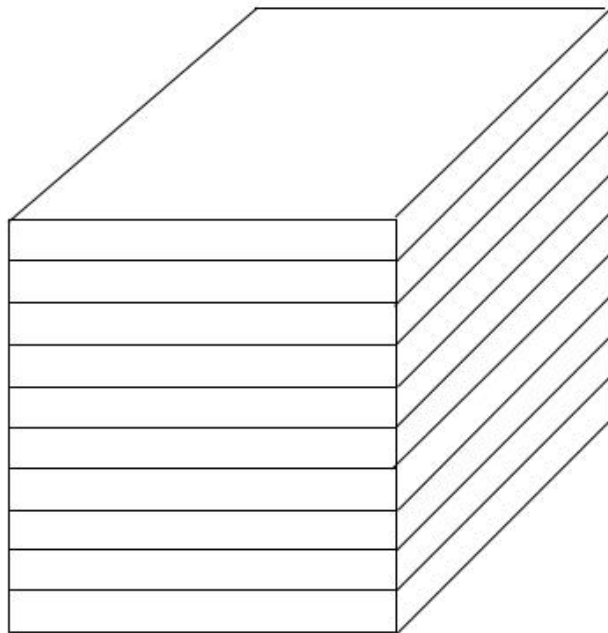
## TEST CIRCUIT



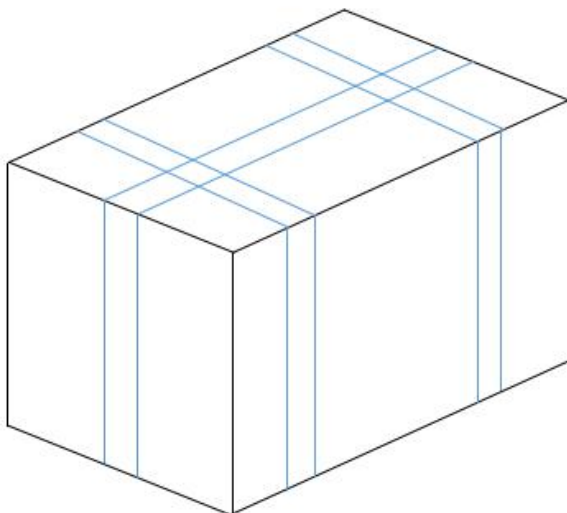
## PACKAGING DETAILS



100PCS/BOX  
BOX SIZE:24\*16\*3CM



10BOXES/STACK, TOTAL 1000PCS  
STACK SIZE:24\*16\*31CM



2000PCS/CARTON  
CARTON SIZE:26\*28\*33CM