

**DESCRIPTION:** Ultrasonic Sensor  
**MODEL:** MSO-A1625H12T

### FEATURES

Transmitter: "T" mark on housing  
 Compact and light weight.  
 High sensitivity and sound pressure  
 Less power consumption  
 High reliability

**PICTURE:**

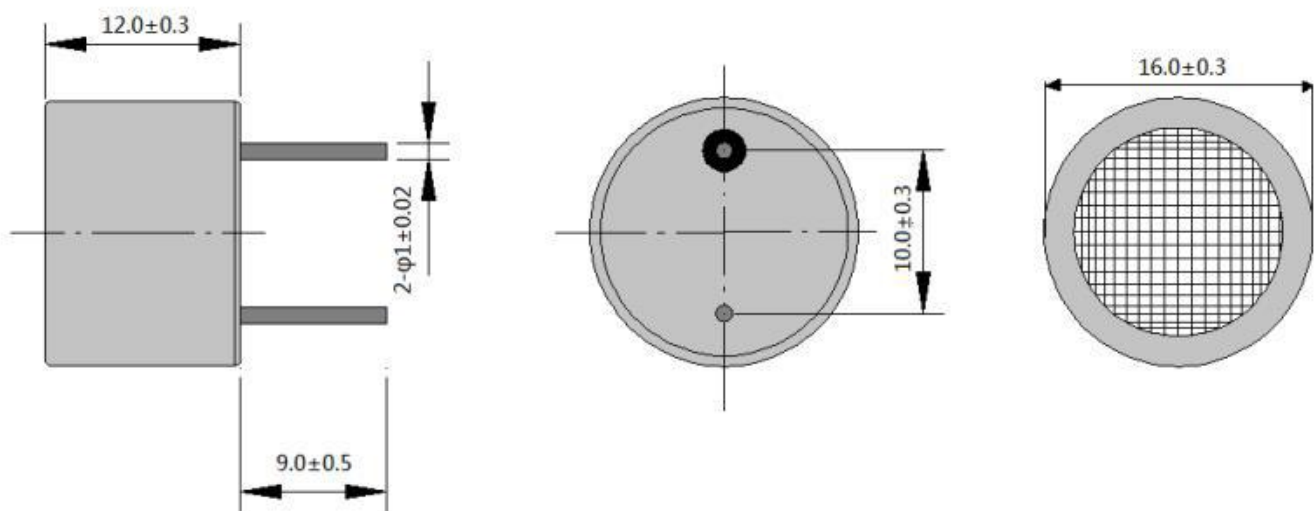


### SPECIFICATIONS

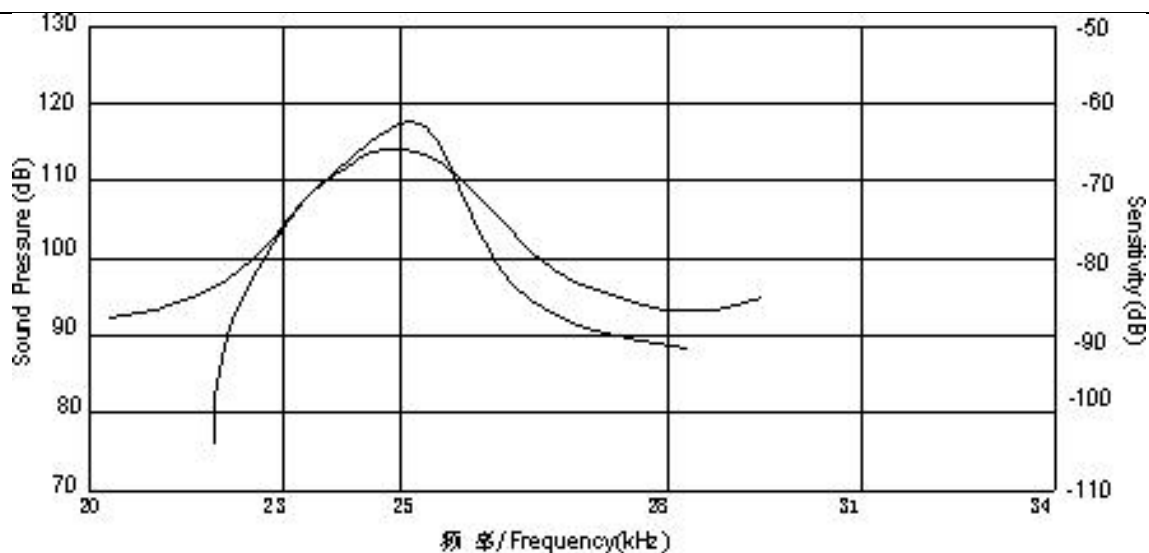
Item	Value
Using method	Transmitter
Center frequency	25±1KHz
Sound pressure level	115dB (10V/30cm/sine wave)
Directivity	80deg
Capacitance	2600pF±20%@1KHz
Operating temperature	-30 to +85℃
Measure distance	0.2~12m
Metals of case	Aluminum
Weight	2.31g

### MECHANICAL DRAWING

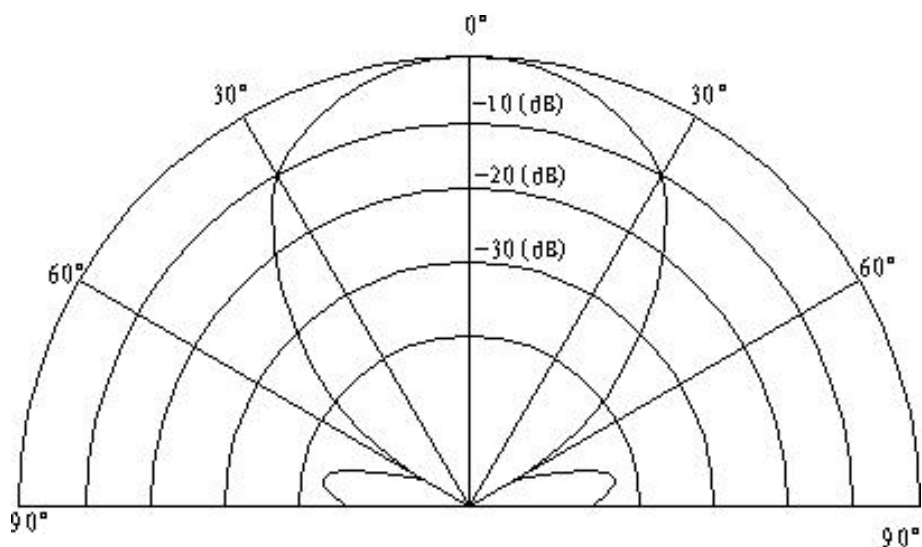
units:mm



### BEAM PATTERN



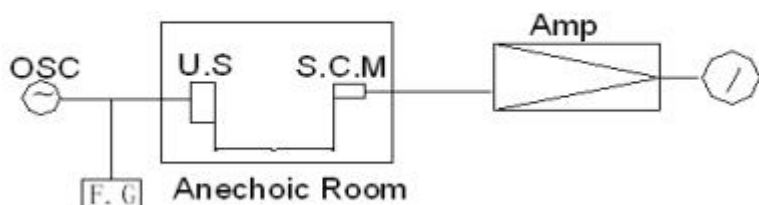
频率特性图/Frequency Characteristics



Directivity in Overall Sensitivity

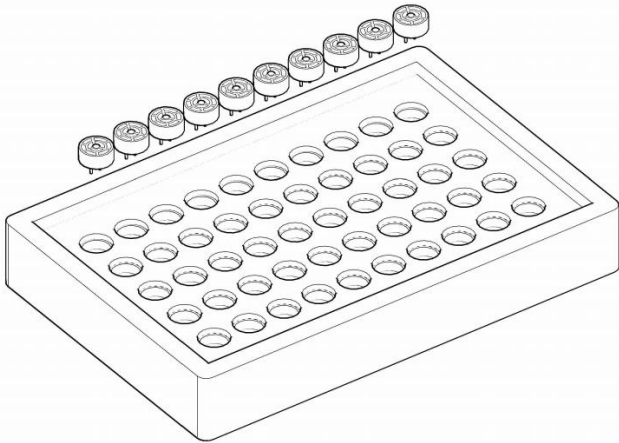
**TEST CIRCUIT**

**Transmitter**

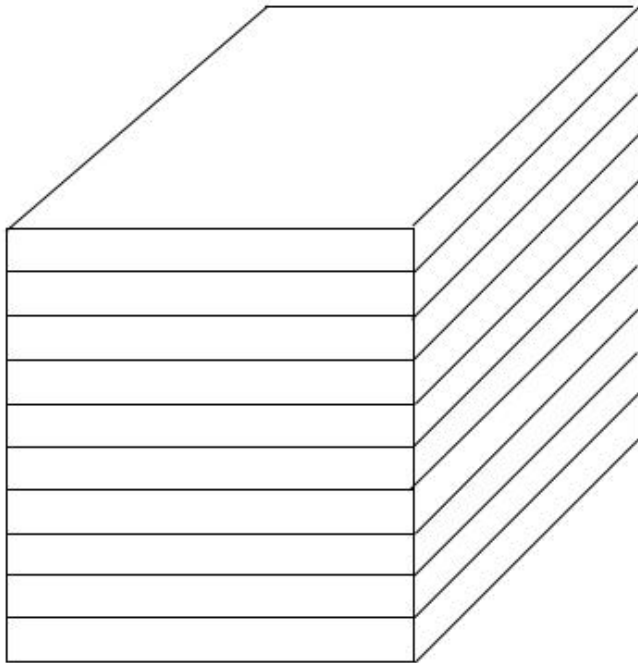


U.S :Ultrasonic Sensor  
 S.C.M:Standard Cappacitor Microphone  
 Amp. :Amplifier  
 Input voltage: 10Vrms  
 F.C :Frequency Counter

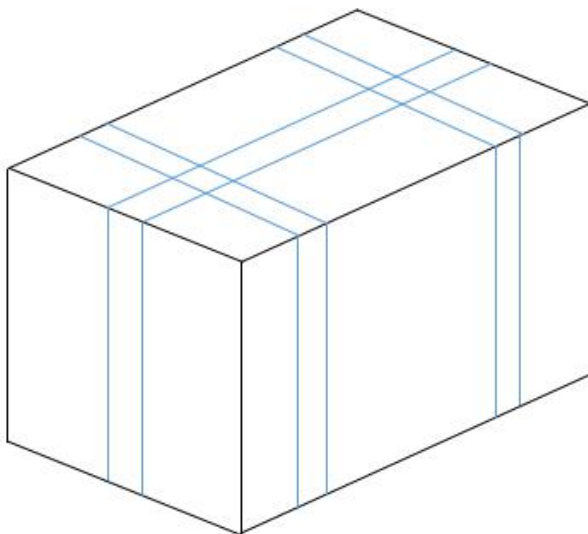
**PACKAGING DETAILS**



50PCS/BOX  
BOX SIZE:24\*16\*3CM



10BOXES/STACK, TOTAL 500PCS  
STACK SIZE:24\*16\*24CM



2000PCS/CARTON  
CARTON SIZE:48\*28\*32CM