

DESCRIPTION: Ultrasonic Sensor
MODEL: MSO-P1040H07TR

FEATURES

Dual Use: Transmitter/Receiver
 Compact and light weight.
 High sensitivity and sound pressure
 Less power consumption
 High reliability

PICTURE:

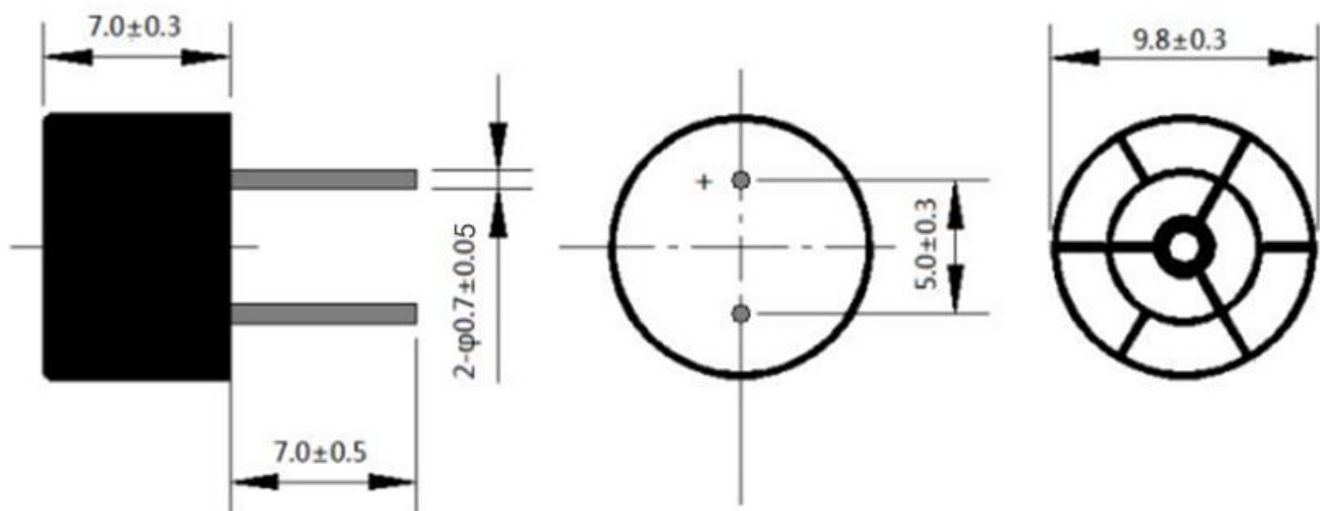


SPECIFICATIONS

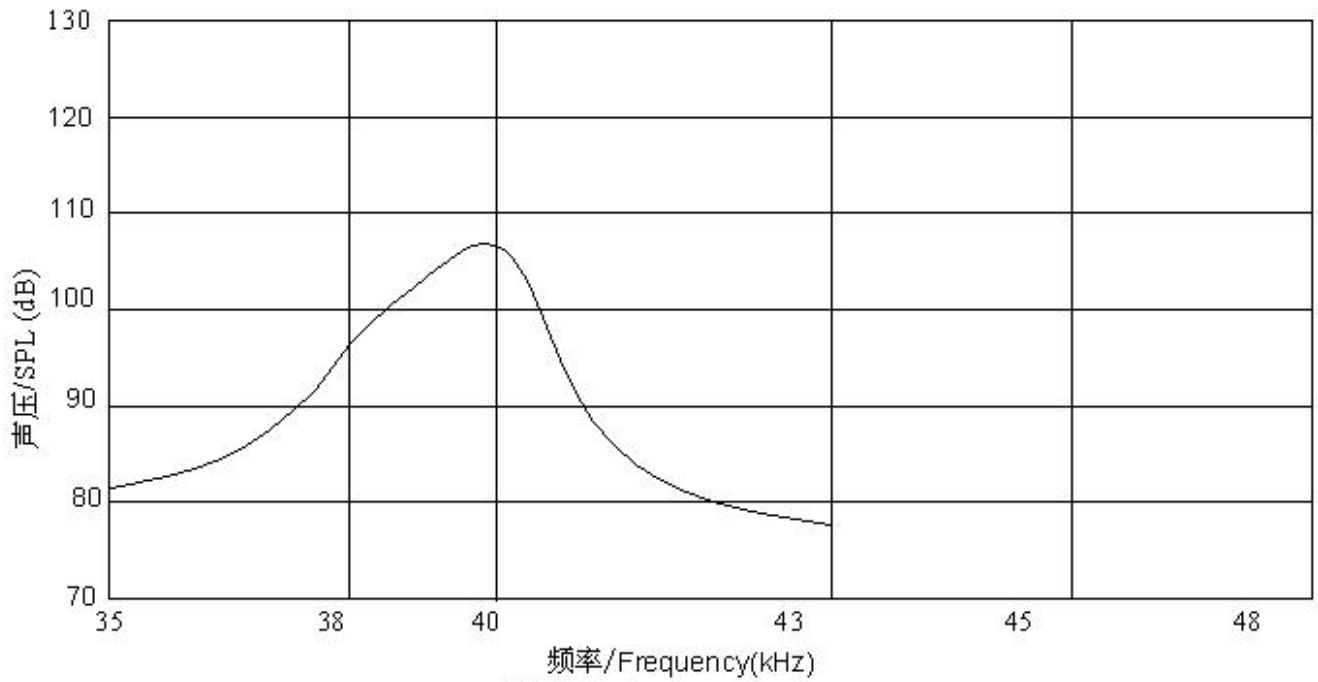
Item	Value
Using method	Transmitter/Receiver
Center frequency	40±1.5KHZ
Sound Pressure Level	≥115dB
Sensitivity	≥-75dBV/μMbar
Capacitance	2200±25%pF at 1KHz
Directivity	80°±15° (-6dB)
Response time for receiver	Max 1.6ms
Maximum input voltage	40Vp-p
Detectable range	30-600cm
Housing material	Plastic
Operating Temperature	-20~+80℃
Storage Temperature	-20~+80℃

MECHANICAL DRAWING

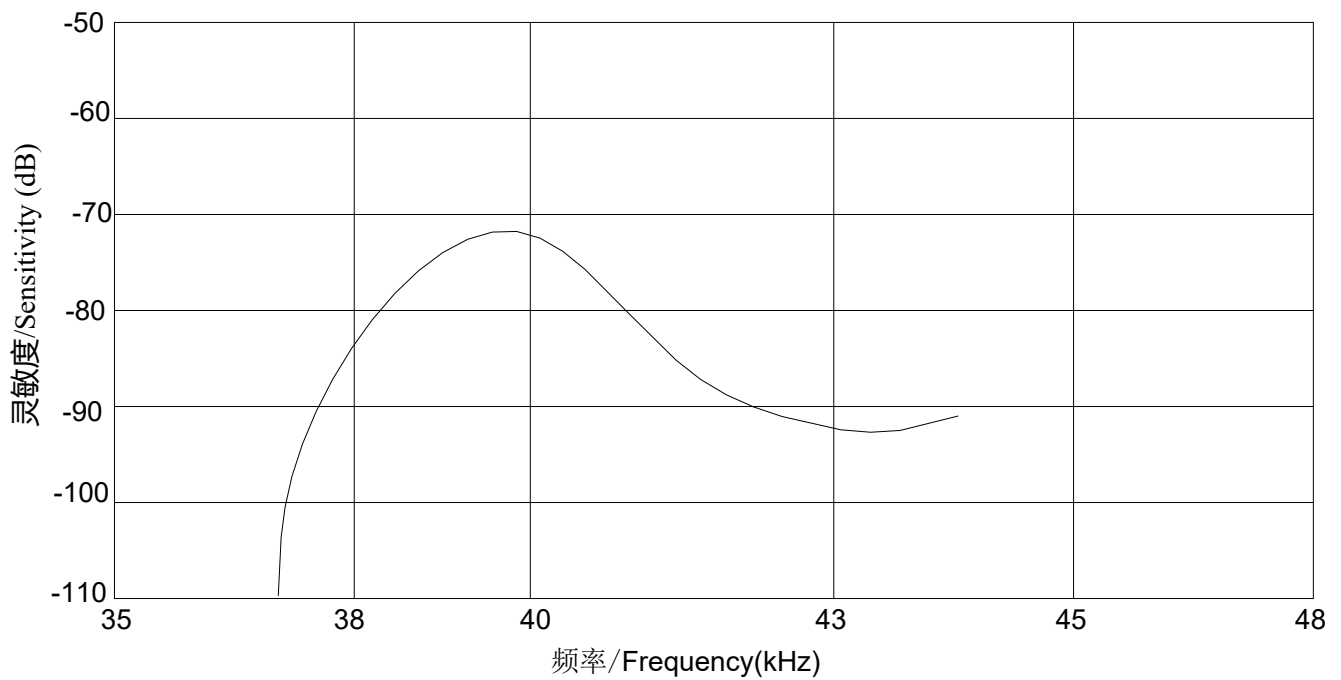
units:mm



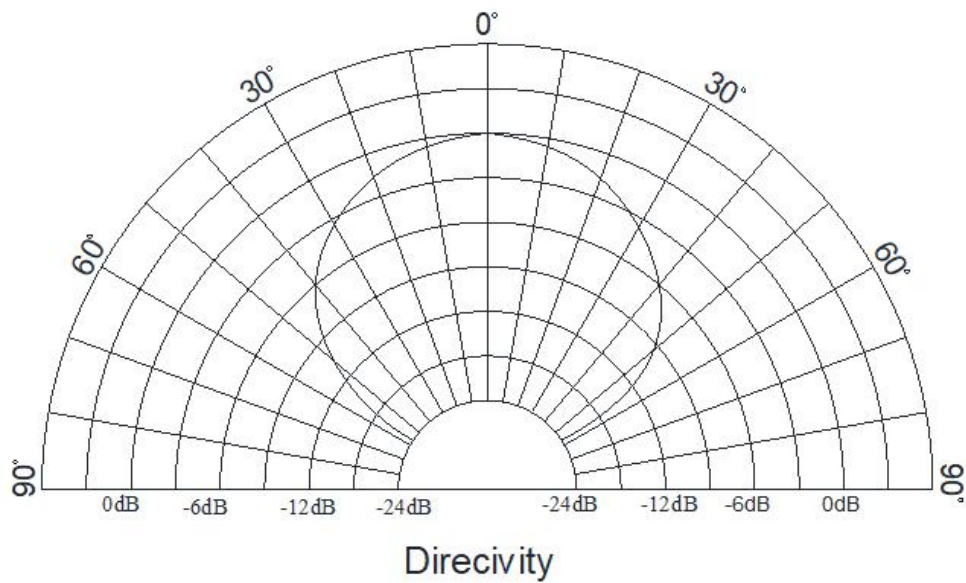
BEAM PATTERN



声压-频率特性图/SPL-Freq.Characteristics

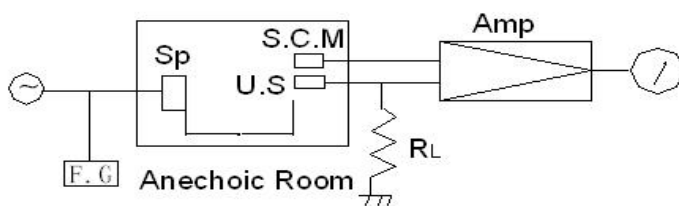


灵敏度-频率特性图/Sensitivity-Freq.Characteristics



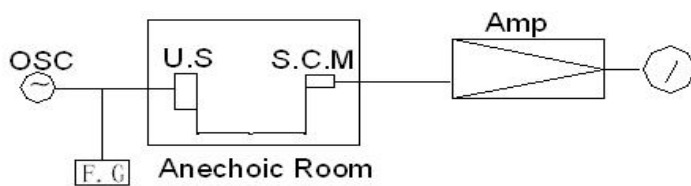
TEST CIRCUIT

Receiver



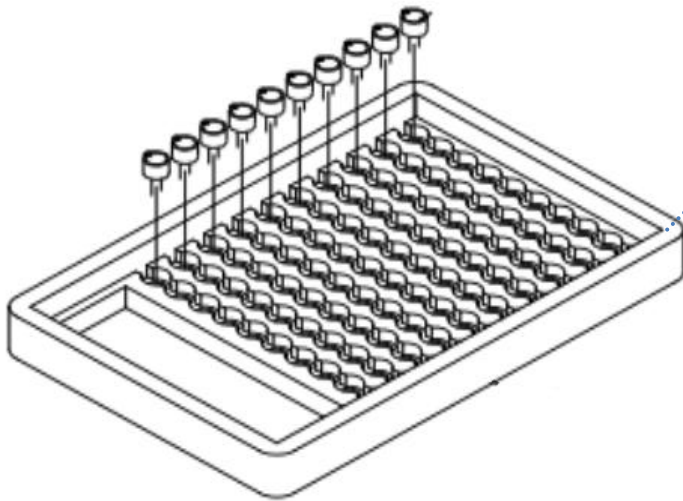
RL: $3.9K\Omega$
 U.S :Ultrasonic Sensor
 S.C.M:Standard Cappacitor Microphone
 Amp. :Amplifier
 OSC. :Oscillator
 Sp :Tweeter
 F.C :Frequency Counter

Transmitter

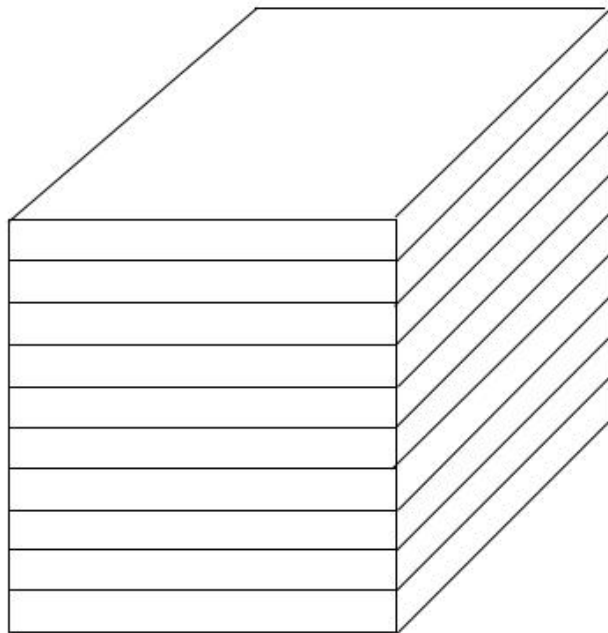


U.S :Ultrasonic Sensor
 S.C.M:Standard Cappacitor Microphone
 Amp. :Amplifier
 Input voltage: $10V_{rms}$
 F.C :Frequency Counter

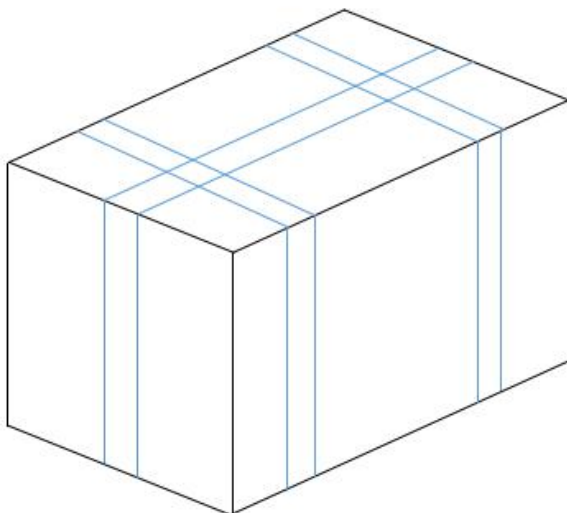
PACKAGING DETAILS



100PCS/BOX
BOX SIZE:24*16*3CM



10BOXES/STACK, TOTAL 1000PCS
STACK SIZE:24*16*31CM



2000PCS/CARTON
CARTON SIZE:25*25*33CM