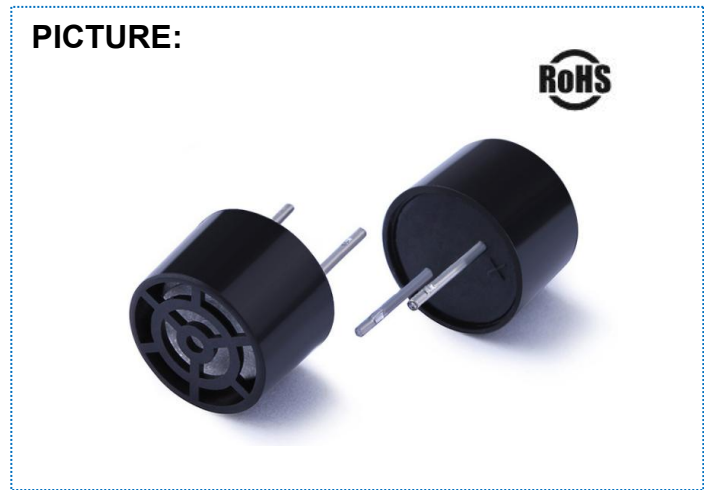


**DESCRIPTION:** Ultrasonic Sensor  
**MODEL:** MSO-P1040H07TR

### FEATURES

Dual Use: Transmitter/Receiver  
 Compact and light weight.  
 High sensitivity and sound pressure  
 Less power consumption  
 High reliability

**PICTURE:**

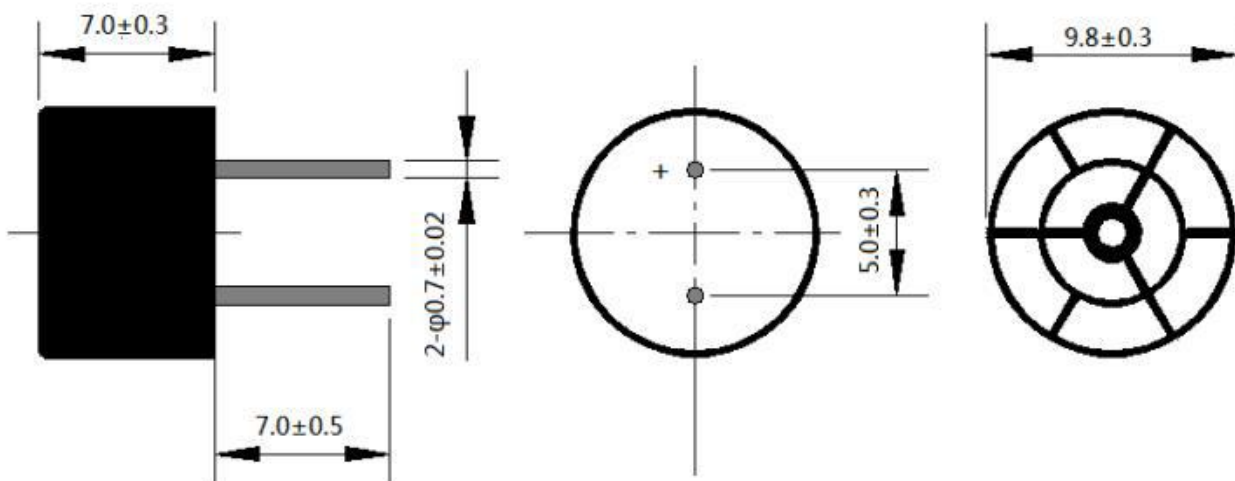


### SPECIFICATIONS

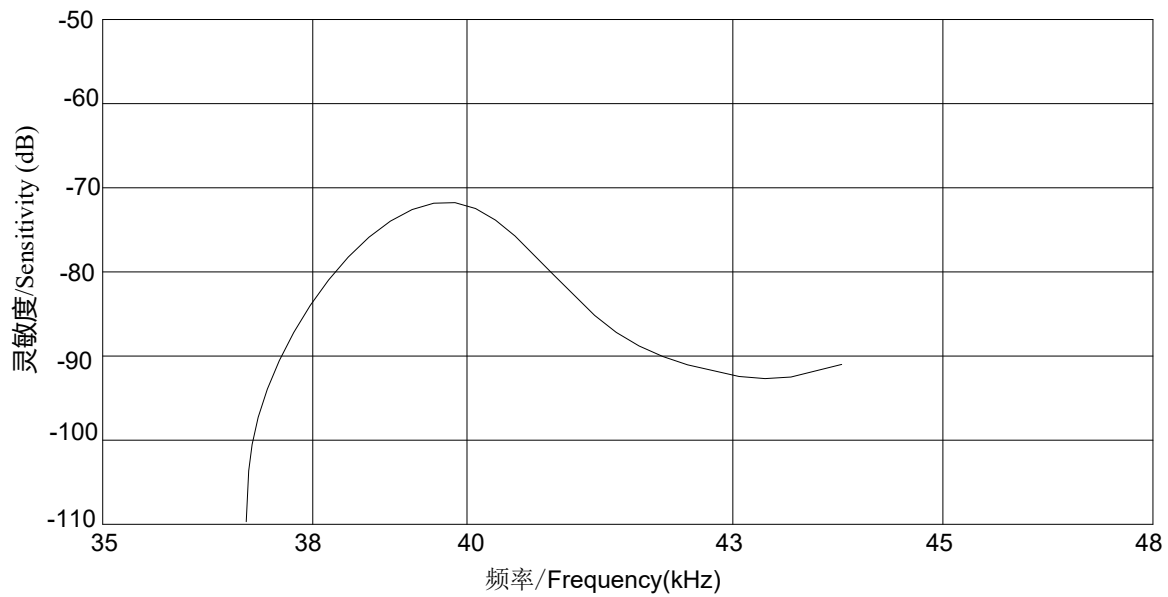
| Item                       | Value                                    |
|----------------------------|--|
| Using method               | Transmitter/Receiver                     |
| Nominal Frequency          | 40KHZ                                    |
| Sensitivity                | $\geq -75\text{dBV}/\mu\text{Mbar}$      |
| S P L                      | $\geq 105\text{dB}$ (10V/30cm/sine wave) |
| Directivity                | 80deg                                    |
| Capacitance                | $2000\text{pF} \pm 25\% @ 1\text{KHz}$   |
| Detectable range           | 0.2~15m                                  |
| Operating Temperature      | -20~ +80°C                               |
| Response time for receiver | Max 1.6                                  |
| Housing material           | Plastic                                  |
| Weight                     | 0.58g                                    |

### MECHANICAL DRAWING

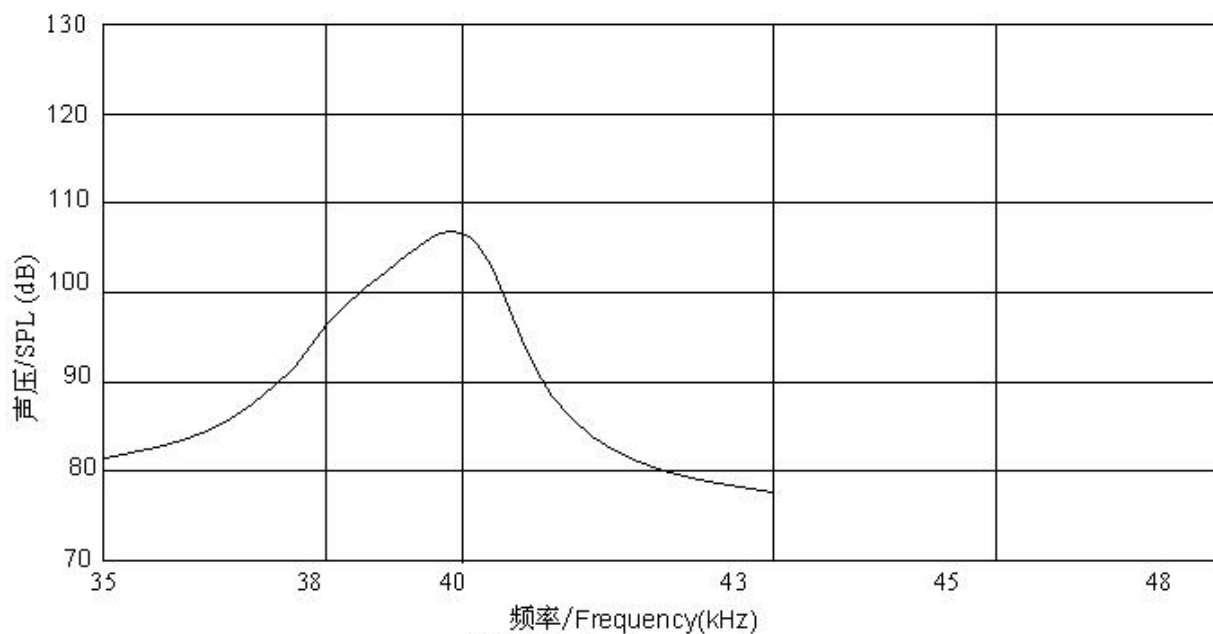
units:mm



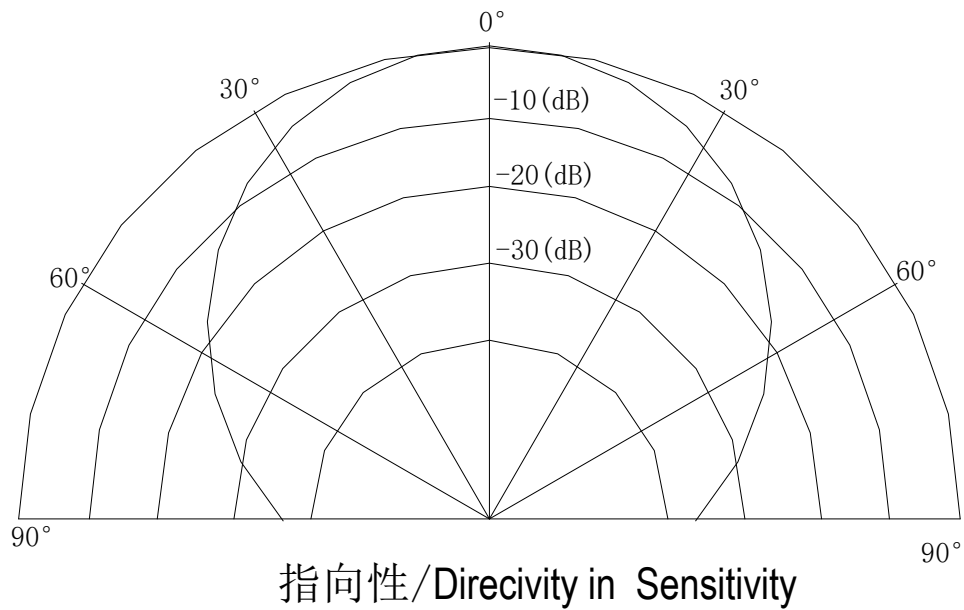
### BEAM PATTERN



灵敏度-频率特性图/Sensitivity-Freq.Characteristics

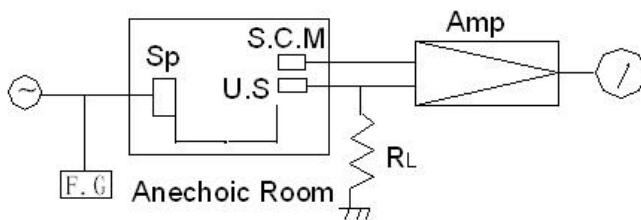


声压-频率特性图/SPL-Freq.Characteristics



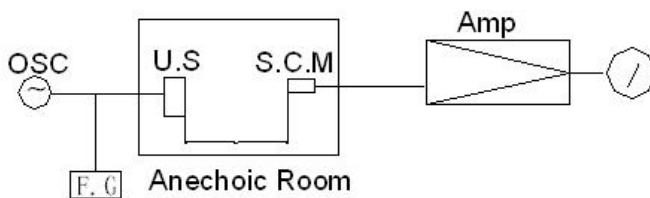
## TEST CIRCUIT

### Receiver



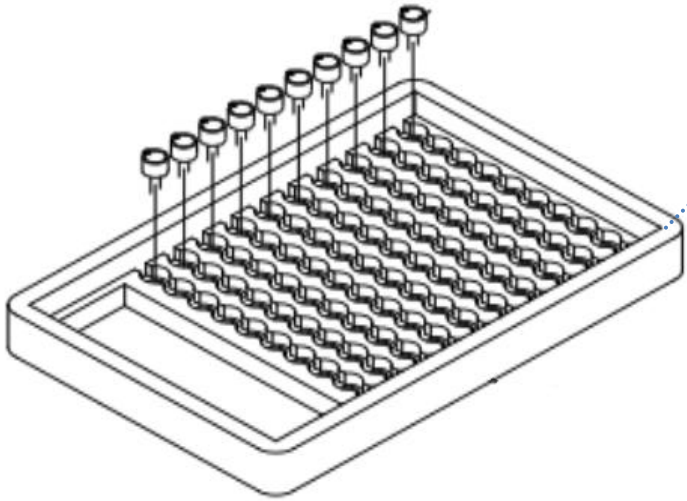
RL:  $3.9K\Omega$   
 U.S :Ultrasonic Sensor  
 S.C.M:Standard Cappacitor Microphone  
 Amp. :Amplifier  
 OSC. :Oscillator  
 Sp :Tweeter  
 F.C :Frequency Counter

### Transmitter

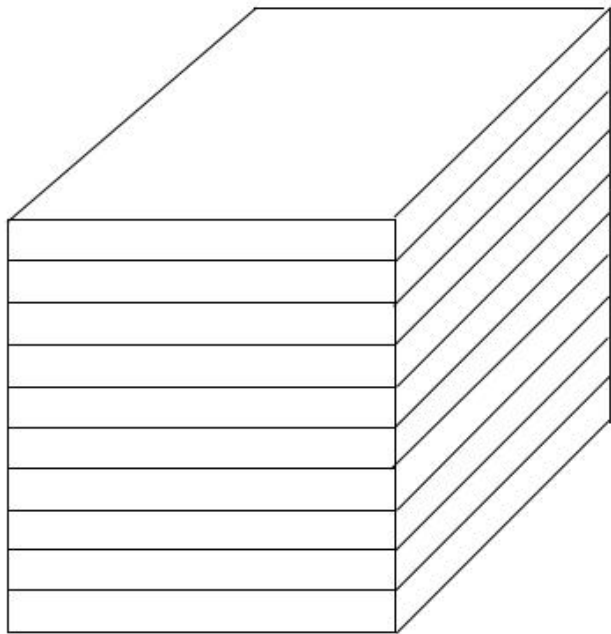


U.S :Ultrasonic Sensor  
 S.C.M:Standard Cappacitor Microphone  
 Amp. :Amplifier  
 Input voltage:10Vrms  
 F.C :Frequency Counter

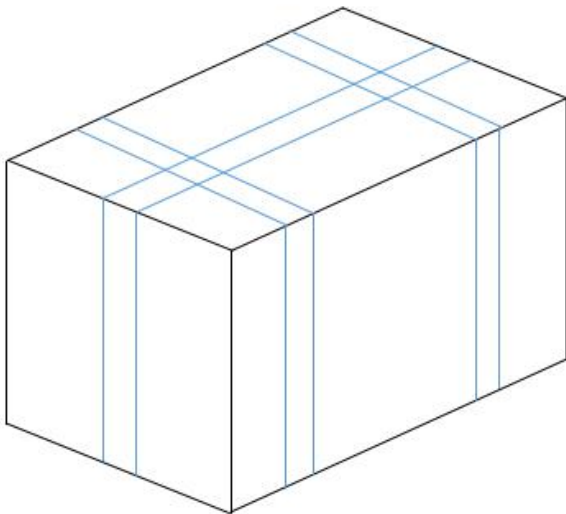
## PACKAGING DETAILS



100PCS/BOX  
BOX SIZE:23\*13.5\*3.5CM



10BOXES/STACK, TOTAL 1000PCS  
STACK SIZE:23\*13.5\*28CM



4000PCS/CARTON  
CARTON SIZE:49\*35\*27CM