

DESCRIPTION: Ultrasonic Sensor
MODEL: MSO-P1640H12T

FEATURES

Transmitter: "40T" mark on housing
 Compact and light weight.
 High sensitivity and sound pressure
 Less power consumption
 High reliability

PICTURE:

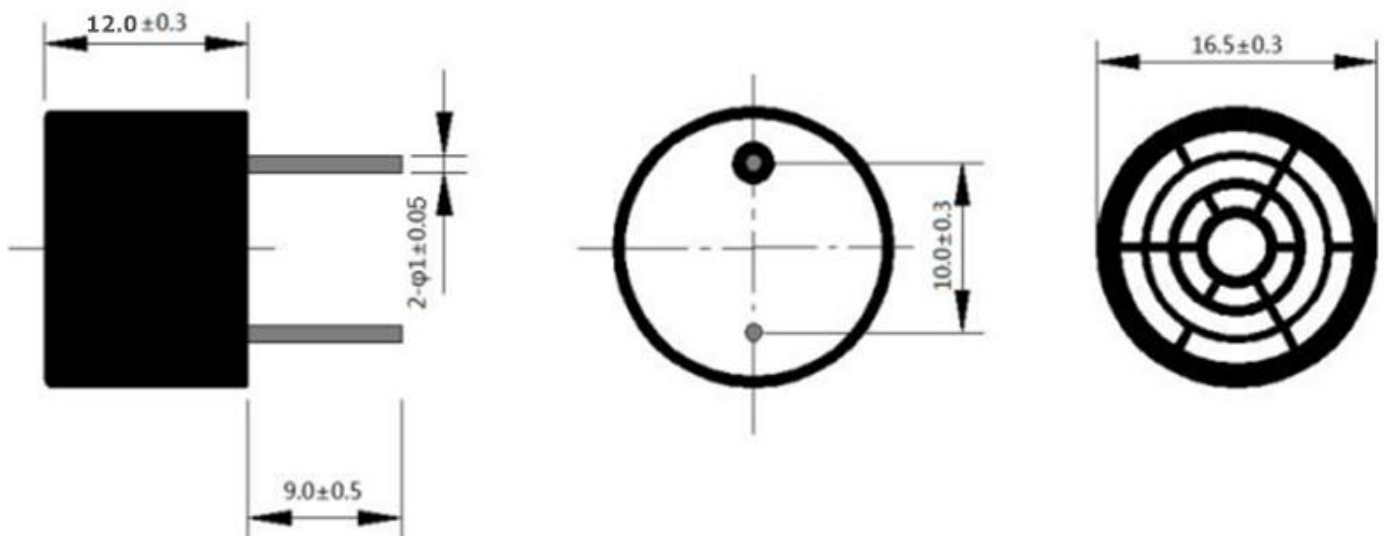


SPECIFICATIONS

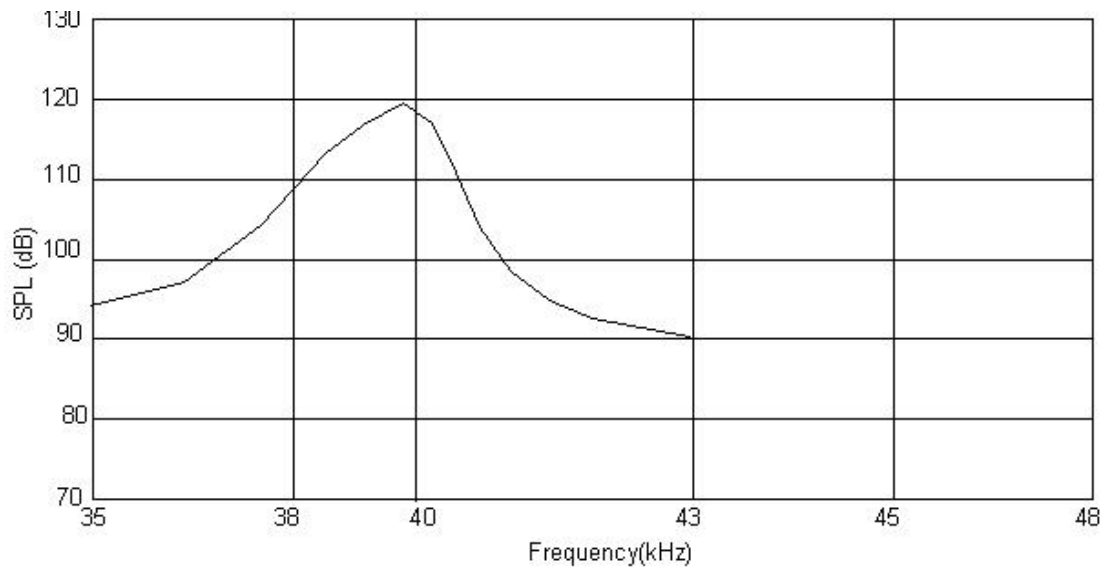
| Item | Value |
|-----------------------|--------------------|
| Using method | Transmitter |
| Center frequency | 40±1.0KHZ |
| Sound pressure level | ≥115dB |
| Capacitance | 2200±25%pF at 1KHz |
| Directivity | 80°±15° (-6dB) |
| Maximum input voltage | 60Vp-p |
| Detectable range | 0-1200cm |
| Housing material | Plastic |
| Operating Temperature | -20~+80℃ |
| Storage Temperature | -20~+80℃ |

MECHANICAL DRAWING

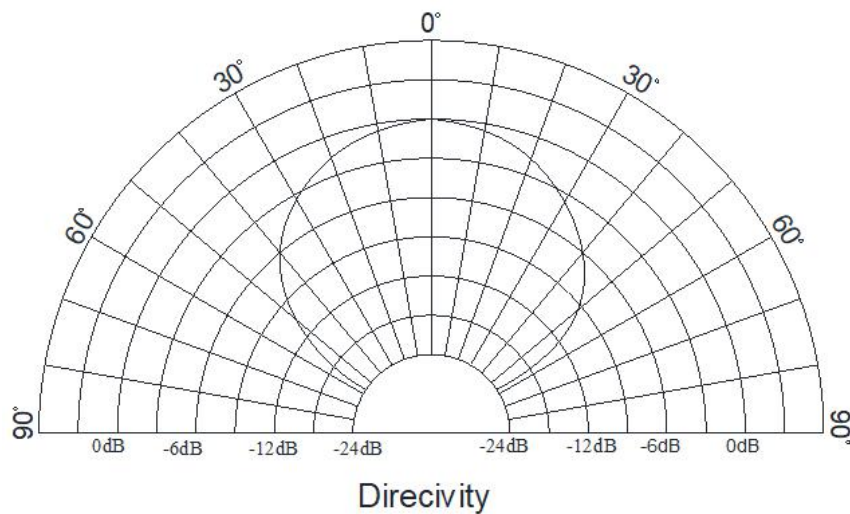
units:mm



BEAM PATTERN



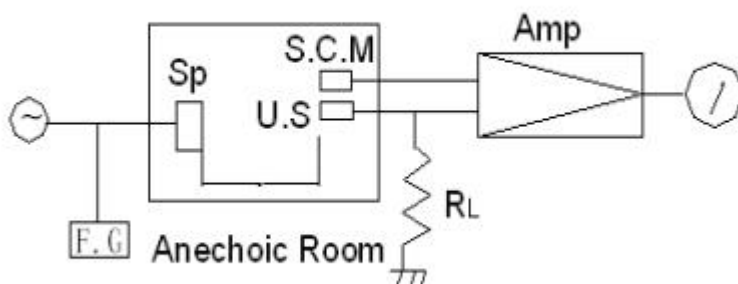
SPL-Frequency Characteristics



Directivity

TEST CIRCUIT

Receiver



RL: 3.9K Ω

U.S :Ultrasonic Sensor

S.C.M:Standard Cappacitor Microphone

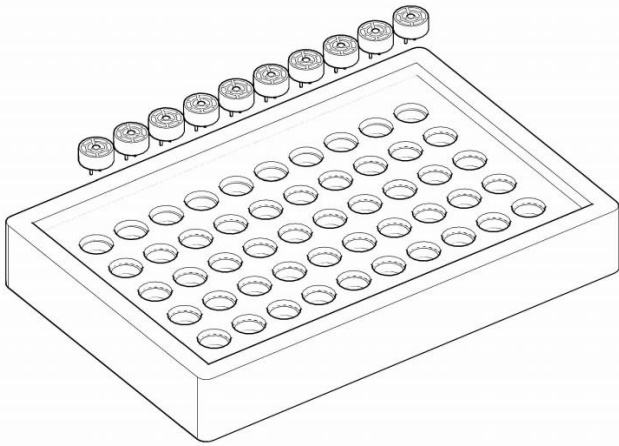
Amp. :Amplifier

OSC. :Oscillator

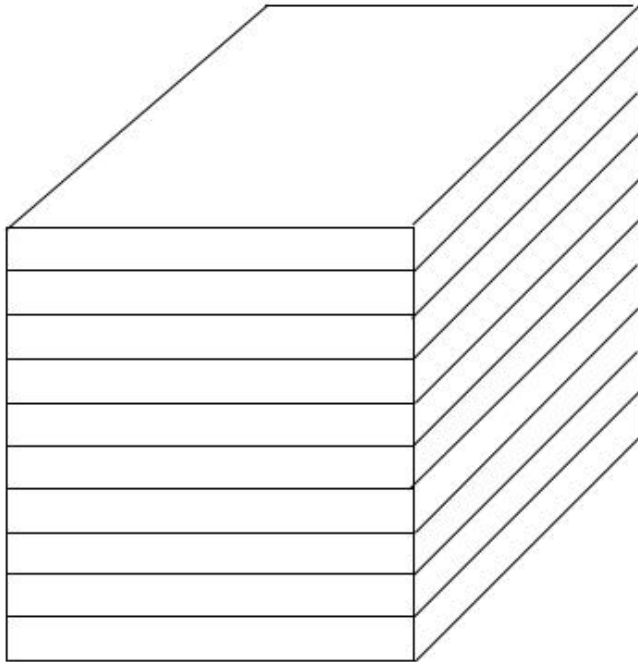
Sp :Tweeter

F.C :Frequency Counter

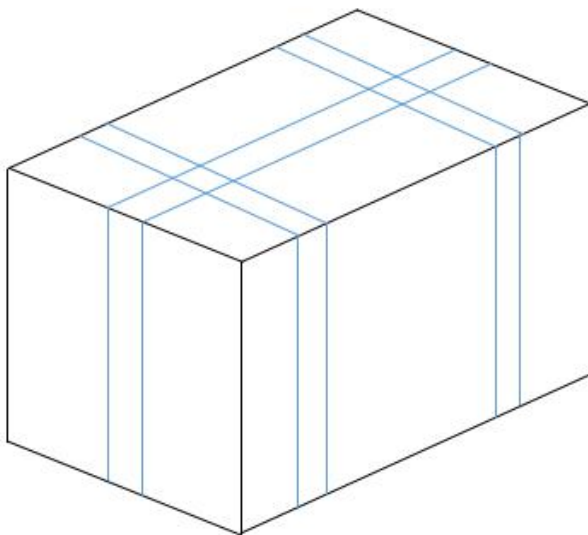
PACKAGING DETAILS



50PCS/BOX
BOX SIZE:23.5*13.5*3CM



10BOXES/STACK, TOTAL 500PCS
STACK SIZE:23.5*13.5*31CM



1000PCS/CARTON
CARTON SIZE:28*28.5*24CM