

**DESCRIPTION:** ACTIVE PIEZO BUZZER

**MODEL:** MSPS23A

**APPLICATION:**

Consumer electronics

Home appliances

Internet of things devices

Medical devices

Security and protection systems

**PRODUCT PICTURE:**



## SPECIFICATIONS

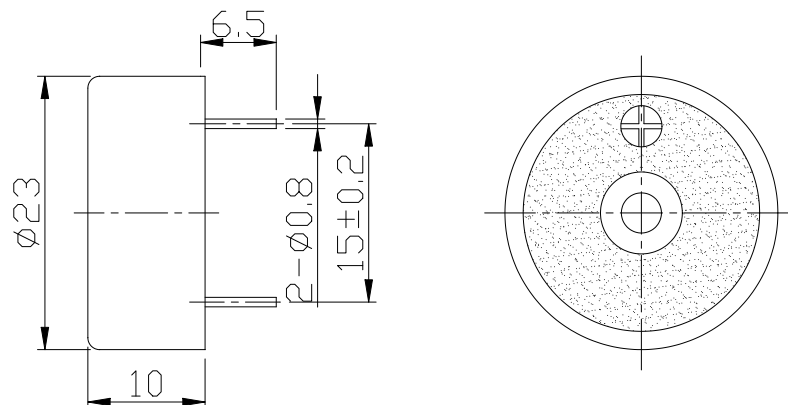
Item	Unit	Value
Rated Voltage ( Square Wave )	V	12
Operating Voltage	V	3-20
Rated Current ( Max )	mA	15
Min Sound Output at 10cm	dB	90
Resonant Frequency	Hz	3500±500
Operating Temperature	°C	-20~+70
Storage Temperature	°C	-30~+80
Tone		single
Weight	g	4

## MECHANICAL DRAWING

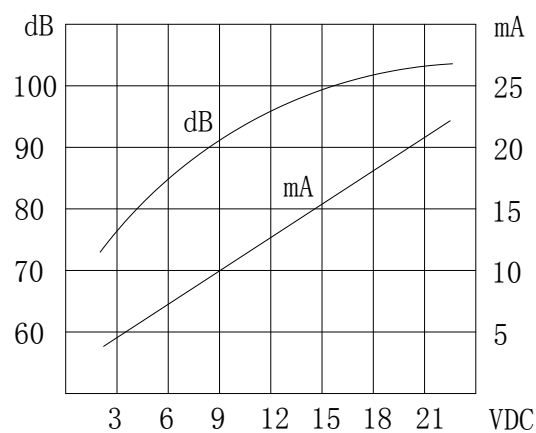
units: mm

tolerance: ±0.5

mm



## PERFORMANCE CURVES



## PACKAGING

