



## PRODUCT SPECIFICATION

Product Name: Piezo Buzzer

Part Number: MSPS30F31W112V12PT

Document No: \_\_\_\_\_

Date: 2021.05.22

DRAWING BY	CHECKED BY	APPROVED BY
CHEN YUAN	YUE QIN	JIN LI

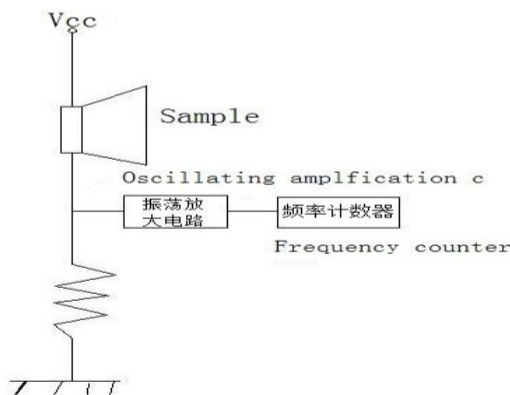
## 1.SPECIFICATION

Item	Spec	Condition
1	Rated voltage	12VDC
2	Operation voltage	5-14VDC
3	Sound Pressure Level=SPL	Min 85dB Typical 90dB
4	Oscillation frequency	3100Hz
5	Response time	Max 50mS
6	Range of operation temperature	-20~+80°C
7	Range of preservation temperature	-30~+85°C
8	Terminal strength	10N
9	Externals size	Φ30*14
10	Mass	8g

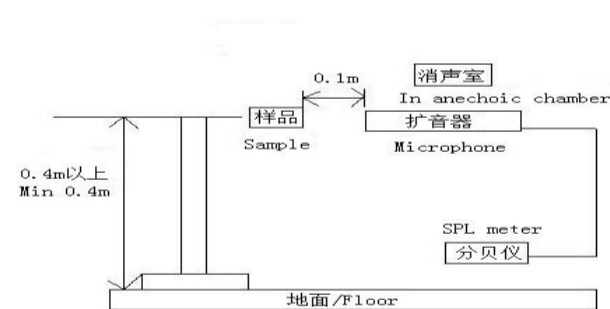
**Standard State: Ordinary Temp(15~35°C), Humidity(25~85%RH), Air pressure(860~1060hPa)**  
**In case of doubtful judgment, the test is re-performed under Basic State.**

**Basic State: Temp.(20±2°C), Humidity(60~70%RH), Air pressure(860~1060hPa)**

<Standard Drive Circuit>



<Standard Test Fixture>



## 2.RELIABILITY SPECIFICATION

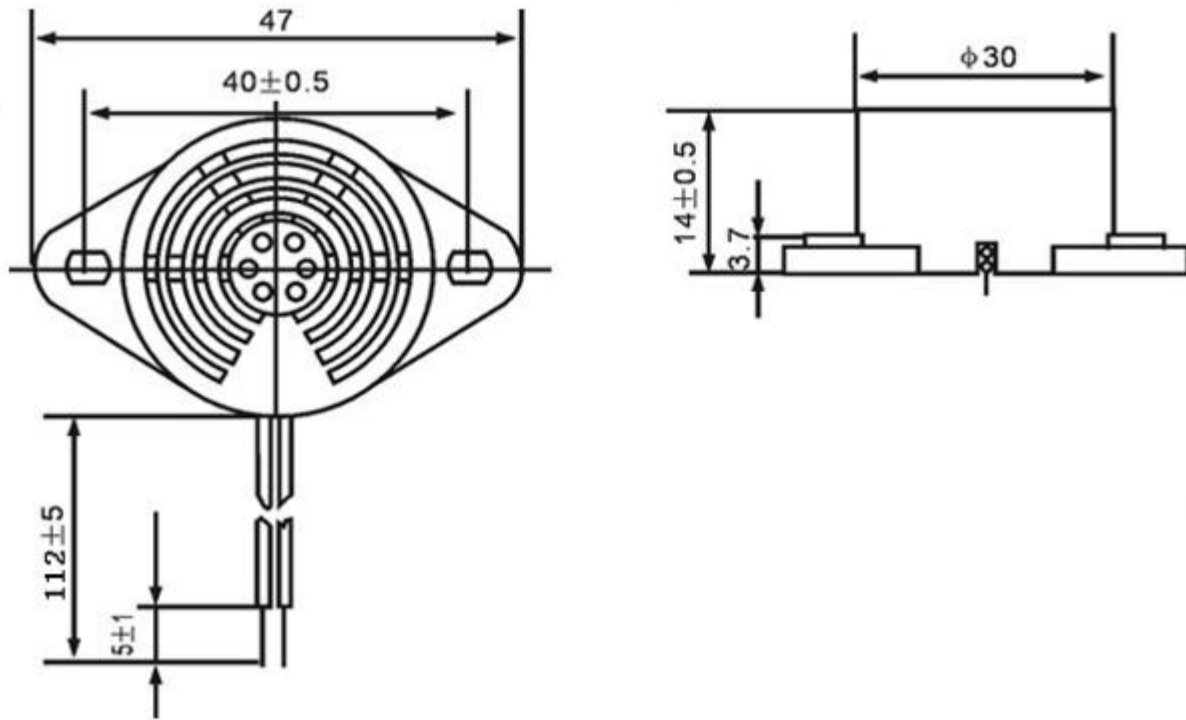
Item	Test condition	Criteria
1	High temperature Preservation Exposure to +85°C for 48 hrs.	After the test the part shall meet specifications without any degradation in appearance
2	Low temperature preservation Exposure to -40°C for 48 hrs.	



# MANORSHI ELECTRONICS CO.,LTD

3	Thermal Shock		And performance except SPL.SPL shall be 85dB More.(at 3300±500 Hz)
4	Thermal, Humidity Shock		
5	Ordinary Temp. Life	Driving the sounder at 12VDC for 48hrs in the room temperature(25°C±10°C)	
6	High Temp. Life	Driving the sounder at 12VDC for 2hrs in the low temperature(+85°C)	
7	Low Temp. Life	Driving the sounder at 12VDC for 2hrs in the low temperature(-40°C)	
8	Lead strength	Pull load on the direction of the terminal axis for 10±1 sec.	
9	Vibration	10~55~ 10Hz Sinewave, Sweep 1 min, Amplitude 1.52 mm Max 91m/S <sup>2</sup> X,Y,Z 3Direction 2hrs each, Total 6hrs	
10	Free drop	Free drop, 70cm height, on wood board (40mm)  X,Y,Z 3Direction 1time each, total 3times.	Exclude bending of Pin
11	Wave solder heat resistance test	Soldering into solderbath: Solder Temp. 262±10°C  Soaking Time: 5±0.5sec	After the test the part Shall meet specifications without any degradation in appearance and performance
12	Washability	Solvent: deionized water, Solvent temp: 55±5°C  Soaking time: 5±0.5minutes	
13	Solderability	Pretreatment: 40°C, 90~95%RH*48hrs  Soldering into solderbath: Solder Temp. 370±5°C  Soaking Time: 6±0.5sec	95% surface of lead pins must be covered with fresh solder and no soldering holes  Should be found

### 3.DIMENSION



### 4.FREQUENCY CURVE

