



PRODUCT SPECIFICATION

Product Name: Piezo Buzzer

Part Number: MSPS42A28W12

Document No: _____

Date: 2017.10.07

DRAWING BY	CHECKED BY	APPROVED BY
CHEN YUAN	YUE QIN	JIN LI

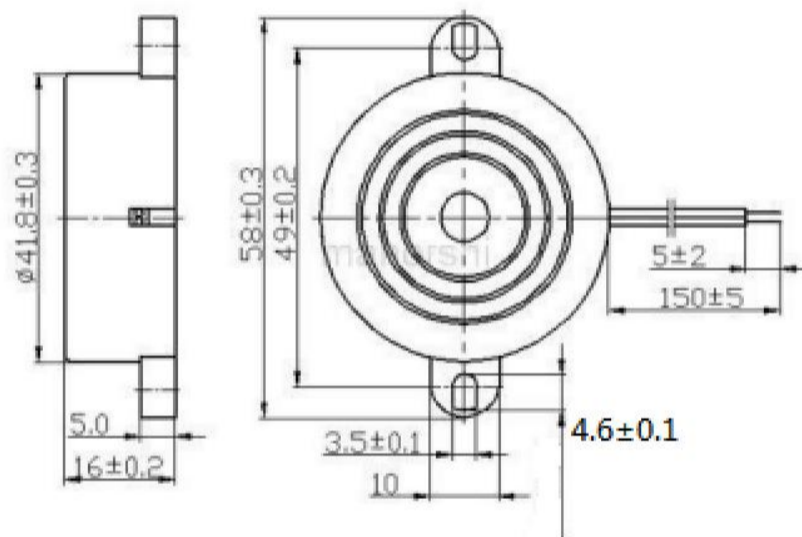
1.SPECIFICATION

TYPE	MSPS42A28W12
Sound pressure Level	105dB Min. at 12Vdc/10cm
Resonant Frequency	2.8±0.5kHz
Rated current	10mA Max.
Rated Voltage	12.0Vdc
◆Operating Voltage	3 – 20Vdc
Operation Temperature	-20°C - +85°C
Lead Wires	UL1007, AWG28
Housing Material	ABS
Dimensions(mm)	See the Drawing
Weight	15g

VALUE APPLYING RATED VOLTAGE (2800Hz 1/2 DUTY SQUARE WAVE)

VALUE APPLYING (2800Hz SINE WAVE MEASURING CURRENT 60μA)

2.APPEARANCE DRAWING



(UNIT:MM)

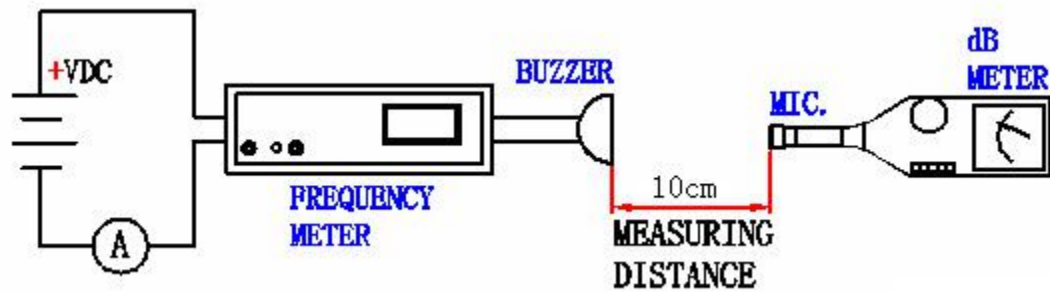
3.TESTING METHOD

Standard Measurement conditions

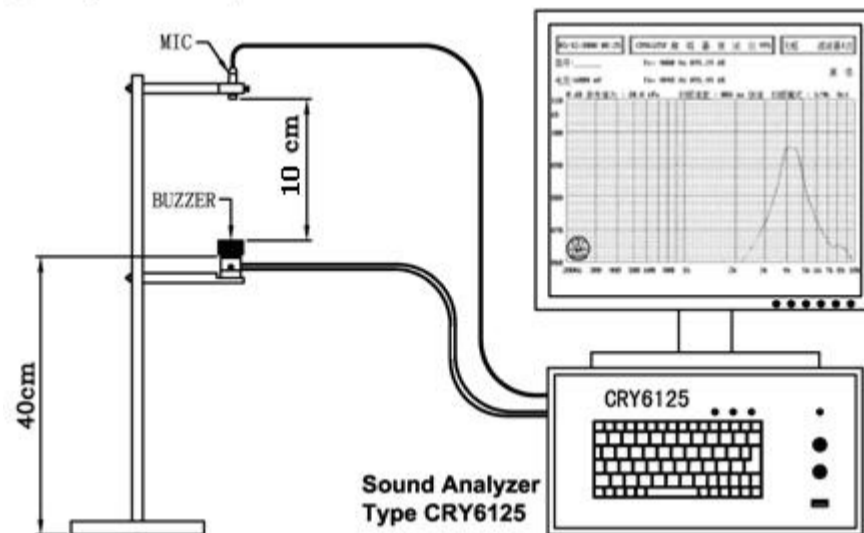
Temperature: $25 \pm 2^\circ\text{C}$ Humidity: 45-65%

Acoustic Characteristics:

The oscillation frequency, current consumption and sound pressure are measured by the measuring instruments shown below

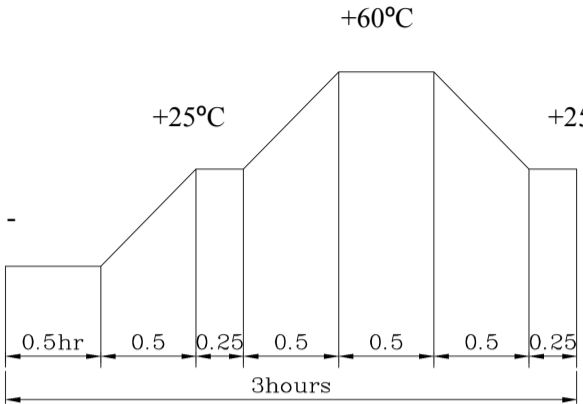


In the measuring test, buzzer is placed as follows:



4.RELIABILITY TEST

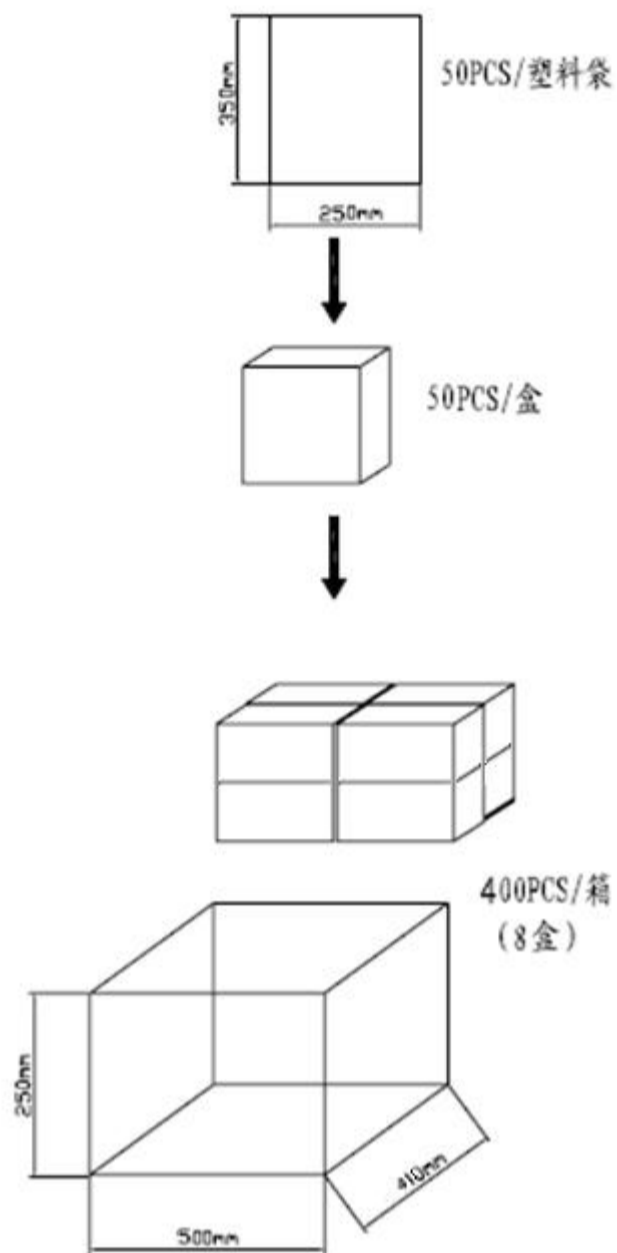
NO.	ITEM	TEST CONDITION AND REQUIREMENT
1	High Temperature Test (Storage)	After being placed in a chamber with 70 °C for 96 hours and then being placed in normal condition for 2 hours. Allowable variation of SPL after test: +/-10dB.
2	Low Temperature Test (Storage)	After being Placed in a chamber with -30 °C for 96 hours and then being placed in normal condition for 2 hours. Allowable variation of SPL after test: +/-10dB.
3	Humidity Test	After being Placed in a chamber with 90-95% R.H. at 40 °C for 96 hours and then being placed in normal condition for 2 hours. Allowable variation of SPL after test: +/-10dB.

4	Temperature Cycle Test	<p>The part shall be subjected to 5 cycles. One cycle shall be consist of:</p>  <p>Allowable variation of SPL after test: +/-10dB.</p>
5	Drop Test	<p>Drop on a hard wood board of 4cm thick, any directions ,3 times, at the height of 75cm .</p> <p>Allowable variation of SPL after test: +/-10dB.</p>
6	Vibration Test	<p>After being applied vibration of amplitude of 1.5mm with 10 to 55 Hz band of vibration frequency to each of 3 perpendicular directions for 2 hours .</p> <p>Allowable variation of SPL after test: +/-10dB.</p>
7	Solderability Test	<p>Lead terminals are immersed in rosin for 5 seconds and then immersed in solder bath of +300 5°C for 3 1 seconds .</p> <p>90% min. lead terminals shall be wet with solder (Except the edge of terminals).</p>
8	Terminal Strength Pulling Test	<p>The force of 9.8N(1.0kg) is applied to each terminal in axial direction for 10 seconds.</p> <p>No visible damage and cutting off.</p>

TEST CONDITION.

Standard Test Condition : a) Temperature : +5 ~ +35°C b) Humidity : 45-85% c) Pressure : 860-1060mbar
 一般测试条件 : a) 温度 : +5 ~ +35°C b) 湿度 : 45-85% c) 气压 : 860-1060mbar
 Judgment Test Condition : a) Temperature : +25 ± 2°C b) Humidity : 60-70% c) Pressure : 860-1060mbar
 争议时测试条件 : a) 温度 : +25 ± 2°C b) 湿度 : 60-70% c) 气压 : 860-1060mbar

5.PACKING STANDARD



Remark:

50pcs per bag

1 trays for unit, 8units per carton

Total:400 pcs per box

Size:50*41*25cm