

DESCRIPTION: ACTIVE PIEZO BUZZER

MODEL: MSPS45A

APPLICATION:

Consumer electronics

Home appliances

Internet of things devices

Medical devices

Security and protection systems

PRODUCT PICTURE:

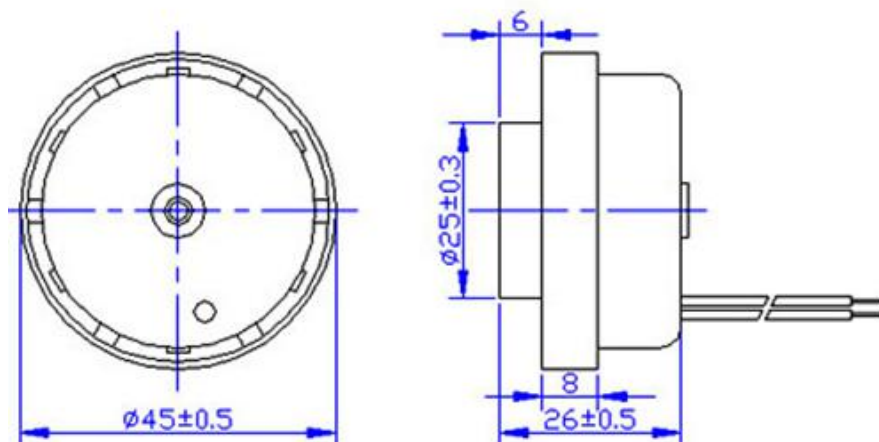


SPECIFICATIONS

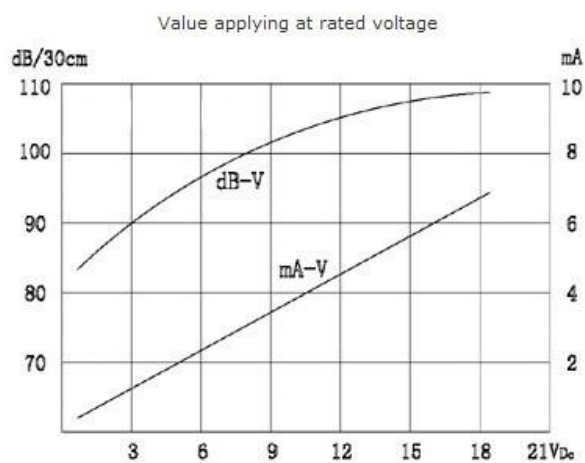
Item	Unit	Value
Rated Voltage (Square Wave)	V	12
Operating Voltage	V	Max 18
Rated Current (Max)	mA	35
Min Sound Output at 10cm	dB	100
Resonant Frequency	Hz	2900±500
Operating Temperature	°C	-20~+60
Storage Temperature	°C	-30~+80
Tone		single

MECHANICAL DRAWING

units: mm tolerance: ±0.2 mm



PERFORMANCE CURVES



PACKAGING

