



PRODUCT SPECIFICATION

Product Name: Piezo Buzzer

Part Number: MSPT10A32W90V10

Document No: _____

Date: 2021.05.27

DRAWING BY	CHECKED BY	APPROVED BY
CHEN YUAN	YUE QIN	JIN LI



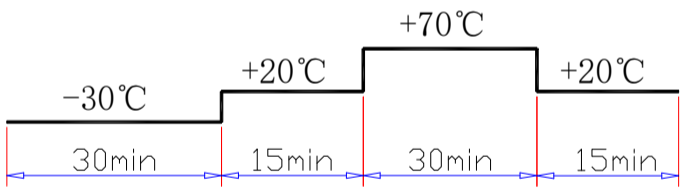
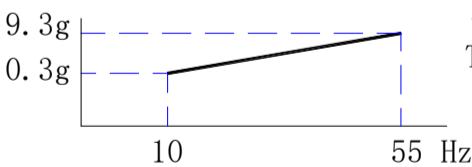
MANORSHI ELECTRONICS CO.,LTD

1.SPECIFICATION

	Item	Unit	Specifications
1-1	Rated Voltage (Square Wave)	Vp-p	10
1-2	Operating Voltage	Vp-p	1-30
1-3	* Rated Current (Max)	mA	5
1-4	* Min Sound Output at 3.2kHz/10cm	dB	80
1-5	* Resonant Frequency	Hz	3200
1-6	Capacitance at 120Hz	pF	11000±30%
1-7	Operating Temperature	°C	-20~+60
1-8	Storage Temperature	°C	-30~+70
1-9	Weight	g	1
1-10	Housing Material		Black ABS
1-11	Lead Wire		UL1571 AWG32
1-12	Tone Nature		Single

* Value Applying at Rated Voltage (resonant frequency, 1/2 duty, square wave)

2.ENVIRONMENTAL TEST

	Item	Specifications
2-1	Storage in High temp.	Storage in +70°C±2°C test box for 96 hours, then expose to the room temperature for 2 hours without applying power.
2-2	Storage in Low temp.	Storage in -30°C±2°C test box for 96 hours, then expose to the room temperature for 2 hours without applying power.
2-3	Storage in Humidity	Storage in +40°C±2°C 90-95%RH test box for 96 hours, then expose to the room temperature for 2 hours without applying power.
2-4	Thermal cycle test.	 <p>Make this test for 5 cycles without applying power, then expose to the room temperature for 2 hours.</p>
2-5	Vibration test	 <p>Amplitude: 1.5mm Time : 1min/axis</p> <p>Make this test for the directions of X,Y, Z for 2 hours each (total 6 hours).</p>
2-6	Drop test	Free drop a unit from the height 70cm to the surface of 10mm thick board, three directions(X,Y,Z).
PASS CRITERION :		After these tests, the change of S.P.L shall be within ±5 dB.

3.MEASURING METHOD(BUZZER MODE)

3-1 .Test Condition

3-1-1.STANDARD

Temperature : $25 \pm 3^{\circ}\text{C}$

Relative humidity : 60% ~ 70%,

Atmospheric pressure : 860mbar to 1060mbar

3-1-2.JUDGEMENT

Temperature : $15 \sim 35^{\circ}\text{C}$

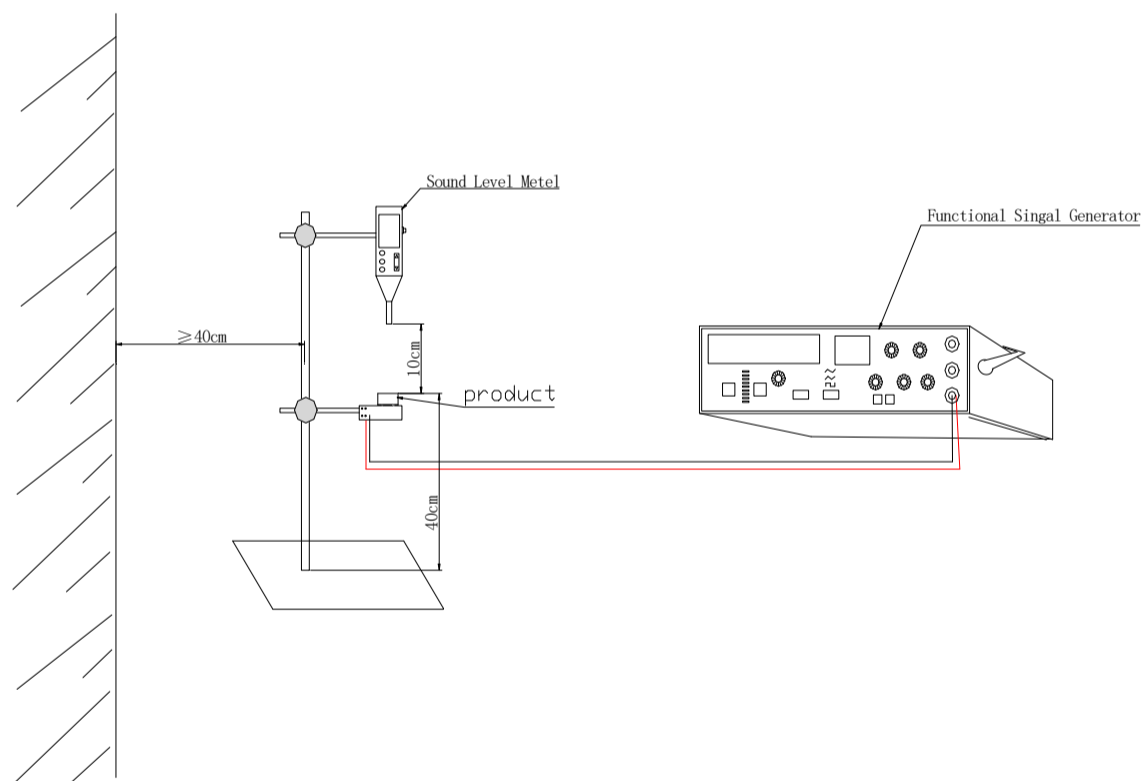
Relative humidity : 45% ~ 85%,

Atmospheric pressure : 860mbar to 1060mbar.

3-2 . Standard Test Fixture

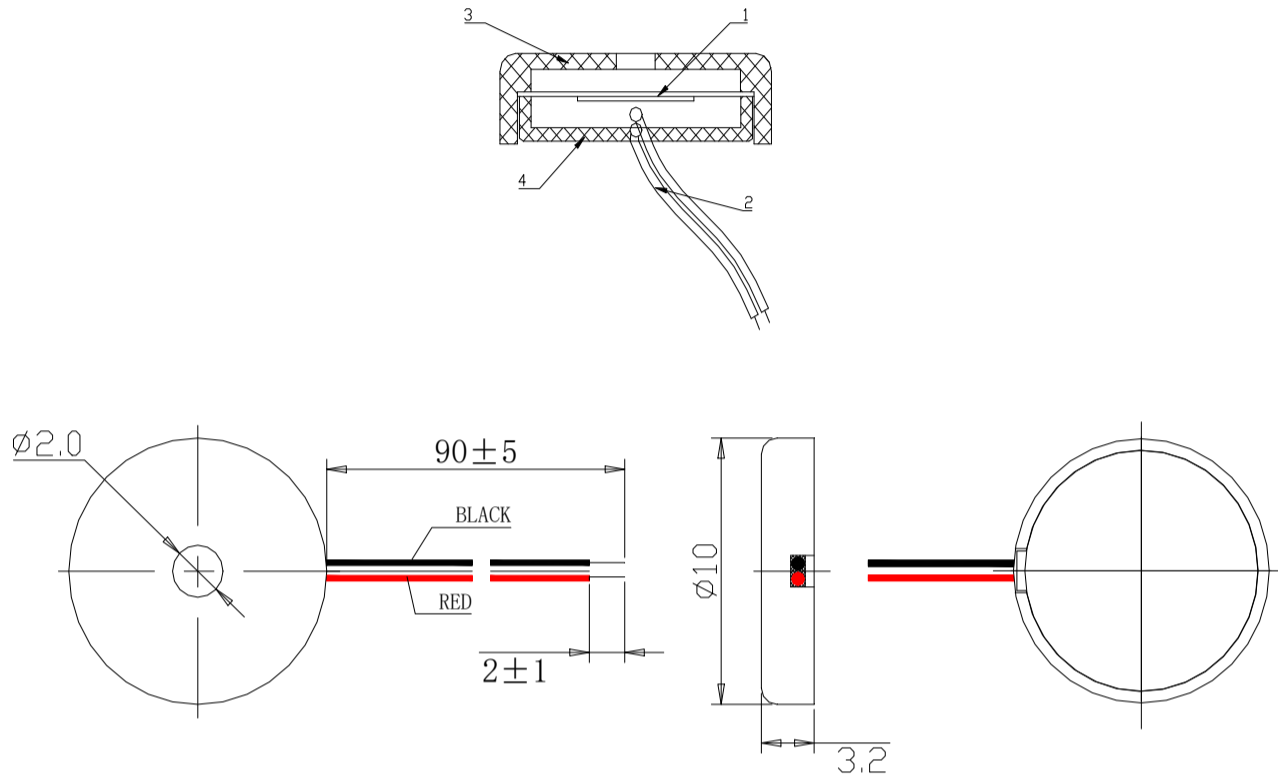
1.rated Voltage(Square wave):10V

2.Resonant Frequency:3200Hz



4.DIMENSIONS

Unless otherwise specified,tolerance:±0.5(unit:mm)



- (1) All parts must be meet to ROHS.
- (2) Wave and wash not allowed.

4	Cover	1	Black ABS	
3	Housing	1	Black ABS	
2	Lead wire	2	Black&Red (UL1571 AWG32)	
1	Piezo element	1	Brass	
Part No.	Part Name	Q'TY	Material	Remark

5.PACKING

