

**DESCRIPTION:** Piezo Buzzer

**MODEL:** MSPT14C

**APPLICATION:**

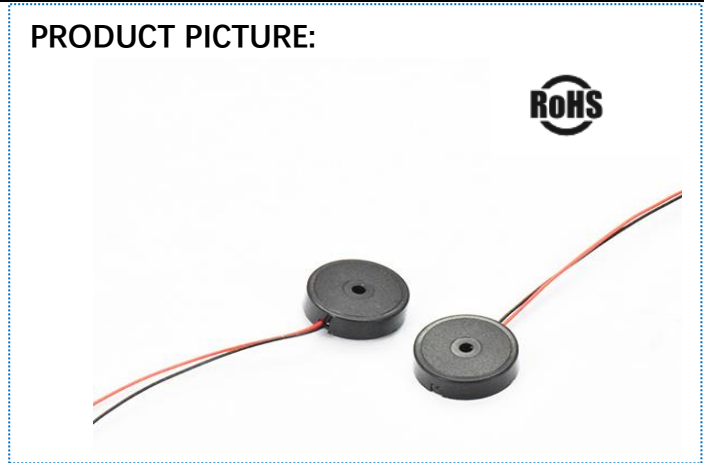
Household Goods

Medical Devices

Electronic Toys

Loud Sirens

**PRODUCT PICTURE:**



## SPECIFICATIONS

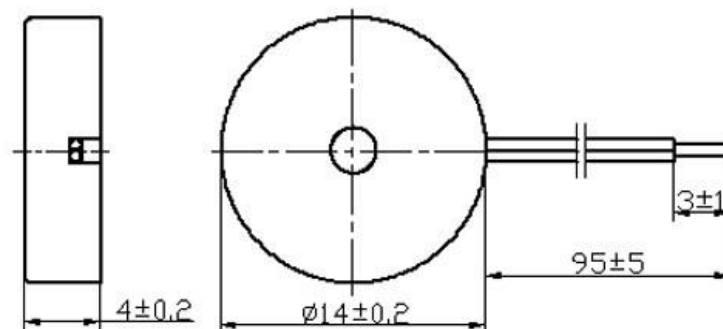
Item	Unit	Value
Rated Voltage (Square Wave)	Vp-p	10
Operating Voltage	Vp-p	1~30
Rated Current (Max)	mA	2
Min Sound Output at 10cm	dB	80
Resonant Frequency	Hz	4800±500
Capacitance at 1,000HZ	pF	15000±30%
Operating Temperature	°C	-20~+60
Storage Temperature	°C	-30~+70
Weight	g	1.0

\* Value Applying at Rated Voltage (resonant frequency, 1/2 duty, square wave)

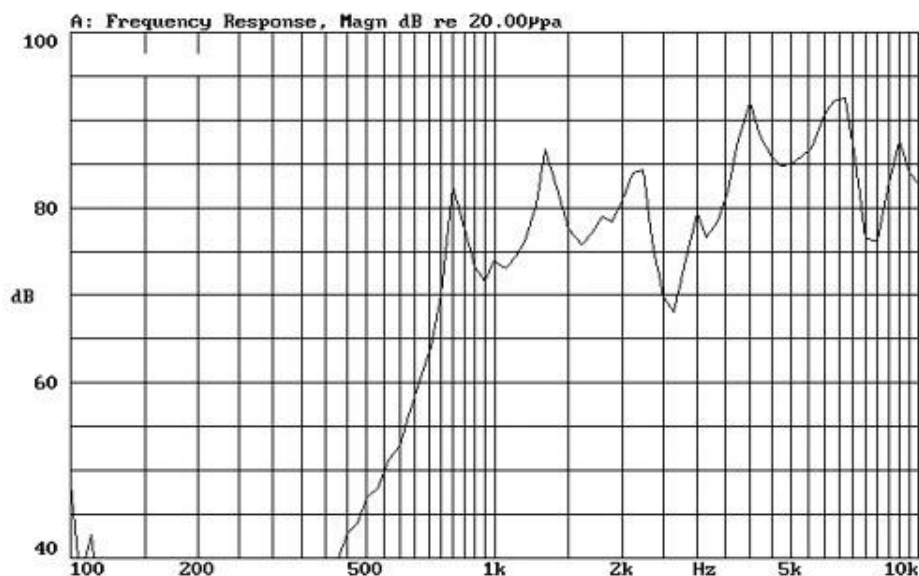
## MECHANICAL DRAWING

units: mm

tolerance: ±0.5 mm



## PERFORMANCE CURVES



## PACKAGING

