

DESCRIPTION: PASSIVE PIEZO BUZZER

MODEL: MSPT17B40W09

APPLICATION:

Household Goods

Medical Devices

Electronic Toys

Loud Sirens

PRODUCT PICTURE:



SPECIFICATIONS

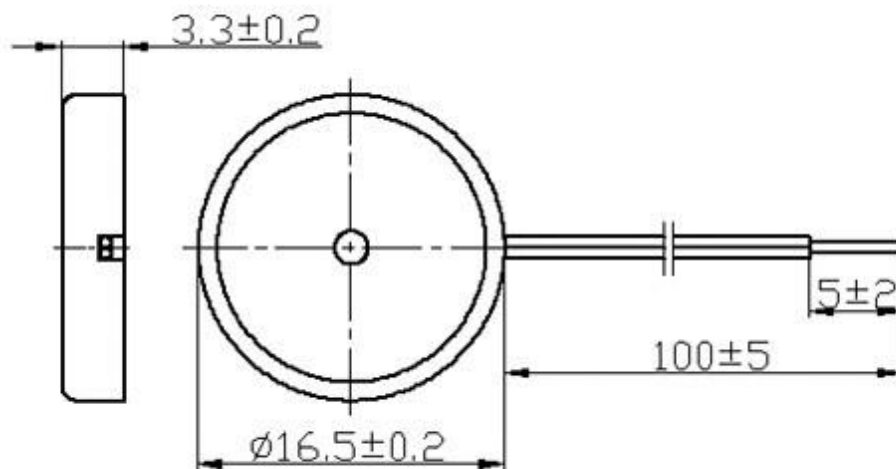
Item	Unit	Value
Rated Voltage (Square Wave)	Vp-p	9
Operating Voltage	Vp-p	1~25
Rated Current (Max)	mA	2
Min Sound Output at 10cm	dB	80
Resonant Frequency	Hz	4000±500
Capacitance at 1,000HZ	pF	14000±30%
Operating Temperature	°C	-20~+60
Storage Temperature	°C	-30~+70
Weight	g	0.9

* Value Applying at Rated Voltage (resonant frequency, 1/2 duty, square wave)

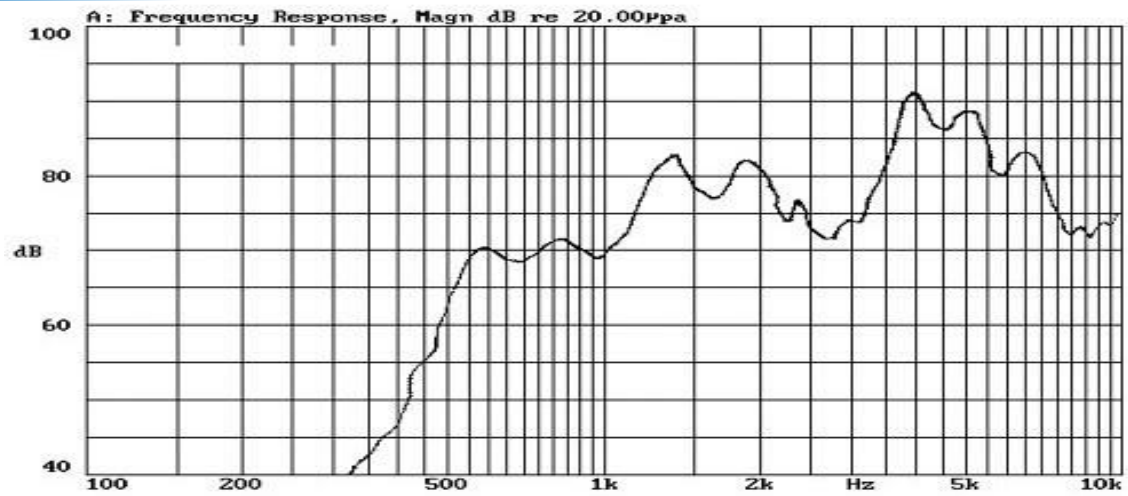
MECHANICAL DRAWING

units: mm

tolerance: ±0.5 mm



PERFORMANCE CURVES



PACKAGING

