



PRODUCT SPECIFICATION

Product Name: PIEZO BUZZER

Part Number: MSPT52A20PV60

Document No: _____

Date: 2021.05.29

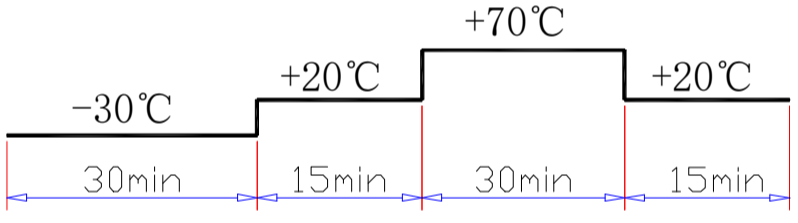
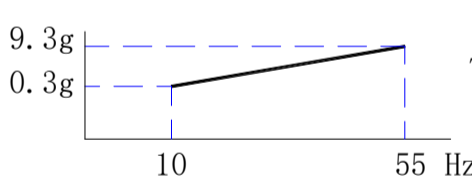
DRAWING BY	CHECKED BY	APPROVED BY
CHEN YUAN	YUE QIN	JIN LI

1.ELECTRICAL AND ACOUSTICAL SPECIFICATION

	Item	Unit	Specifications
1-2	Max Input Voltage	Vp-p	60
1-4	* Min Sound Output at 18Vp-p square wave 3500Hz/3m	dB	90
1-5	* Resonant Frequency	Hz	2000~4000
1-6	Capacitance at 120Hz	nF	1200 ± 30%
1-7	Operating Temperature	°C	-40~+85
1-9	Weight	g	14
	Case material/Color		PA6/Black

* Value Applying at Rated Voltage (resonant frequency, 1/2 duty, square wave)

2.ENVIRONMENTAL TEST

	Item	Specifications
2-1	Storage in High temp.	Storage in +85°C ± 2°C test box for 96 hours, then expose to the room temperature for 2 hours without applying power.
2-2	Storage in Low temp.	Storage in -40°C ± 2°C test box for 96 hours, then expose to the room temperature for 2 hours without applying power.
2-3	Storage in Humidity	Storage in +40°C ± 2°C 90-95%RH test box for 96 hours, then expose to the room temperature for 2 hours without applying power.
2-4	Thermal cycle test.	 <p>Make this test for 5 cycles without applying power, then expose to the room temperature for 2 hours.</p>
2-5	Vibration test	 <p>Amplitude: 1.5mm Time : 1min/axis</p> <p>Make this test for the directions of X,Y, Z for 2 hours each (total 6 hours).</p>
2-6	Drop test	Free drop a unit from the height 100cm to the surface of 10mm thick board ,three directions(X,Y,Z).
2-7	Solderability test	Soldering temp.: 260 ± 5°C Heat applying time: 3 ± 0.5sec.
<p>PASS CRITERION : After these tests , the change of S.P.L shall be within ±5 dB .</p>		

3.MEASURING METHOD(BUZZER MODE)

3-1 .Test Condition

3-1-1.STANDARD

Temperature : $25\pm 3^{\circ}\text{C}$

Relative humidity : 60% ~ 70%,

Atmospheric pressure : 860mbar to 1060mbar

3-1-2.JUDGEMENT

Temperature : $15 \sim 35^{\circ}\text{C}$

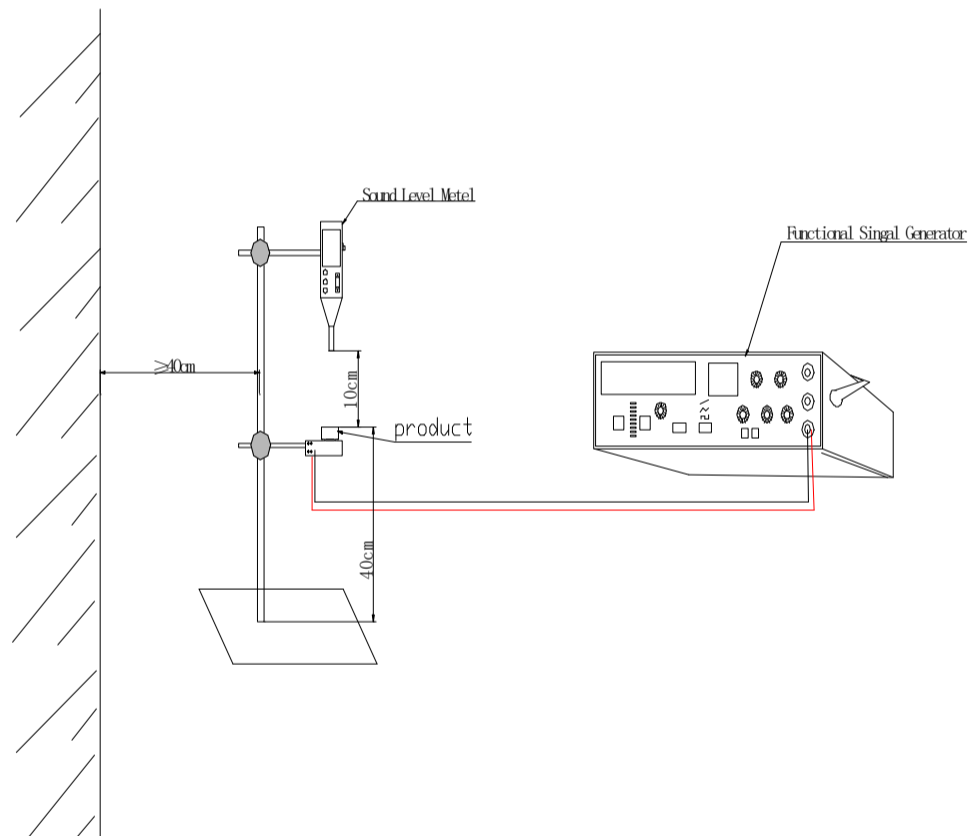
Relative humidity : 45% ~ 85%,

Atmospheric pressure : 860mbar to 1060mbar.

3-2 . Standard Test Fixture

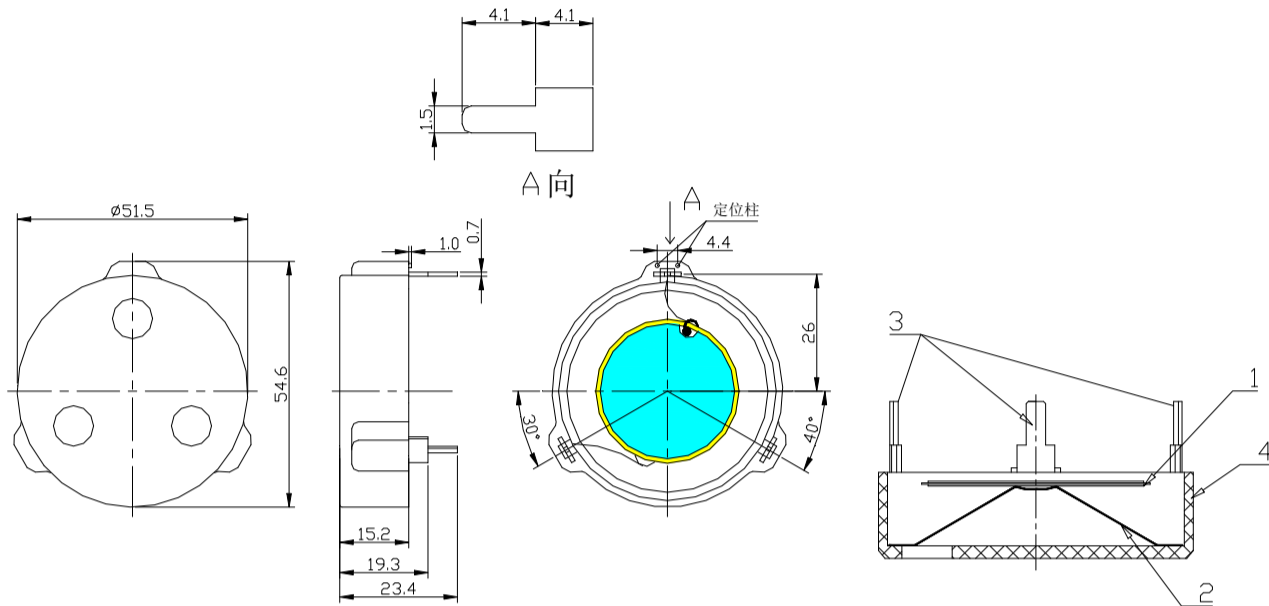
1.rated Voltage(Square wave):18Vp-p

2.Resonant Frequency:3500Hz



4.DIMENSIONS

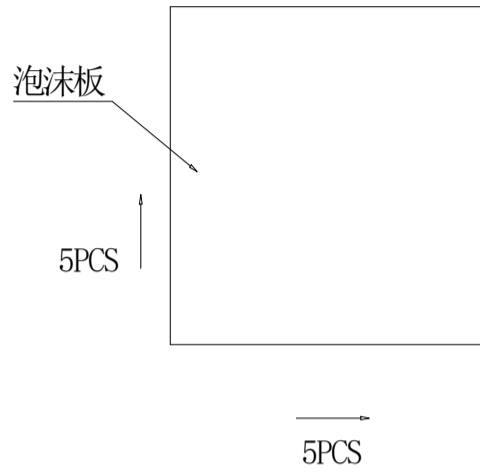
Unless otherwise specified, tolerance: ± 0.5 (unit: mm)



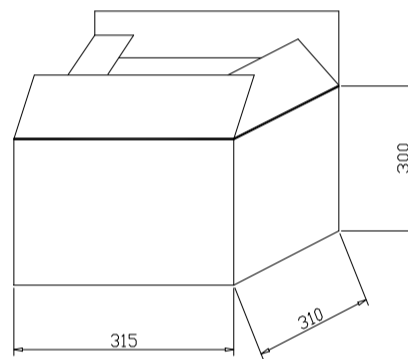
1) All parts must be meet to ROHS.

7				
6				
5				
4	Housing	1	NYLON PA6	
3	Lead Pin	2	Red Copper(DSn)	
2	Film			
1	Piezo element	1	Brass	
Part No.	Part Name	Q'TY	Material	Remark

5.PACKING



5×5=25PCS/board 每板放5×5=25只



250pcs/ctn 每箱放250只