



PRODUCT SPECIFICATION

Product Name: SMD BUZZER

Part Number: SM11PT02AV5SH

Document No: _____

Date: 2021.06.01

DRAWING BY	CHECKED BY	APPROVED BY
CHEN YUAN	YUE QIN	JIN LI

1.. ELECTRICAL AND ACOUSTICAL SPECIFICATION

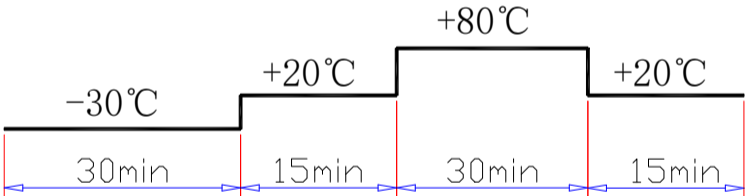
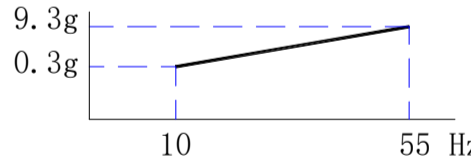


MANORSHI ELECTRONICS CO.,LTD

Item	Unit	Specifications
Rated Voltage (Square Wave)	V	5
Operating Voltage	V	1-25
* Rated Current (Max)	mA	3
* Min Sound Output at 4.1kHz/10cm	dB	70
* Resonant Frequency	Hz	4100±500
Capacitance at 120Hz	pf	13000±30%
Operating Temperature	°C	-30~+70
Storage Temperature	°C	-40~+85
Weight	g	0.2
Housing Material		LCP
Lead Pin Material		Brass
Tone Nature		Single
Connection		SMD

* Value Applying at Rated Voltage (resonant frequency, 1/2 duty, square wave)

2.ENVIRONMENTAL TEST

Item	Specifications
2-1 Storage in High temp.	Storage in +85 °C ± 2 °C test box for 240 hours , then expose to the room temperature for 2 hours without applying power.
2-2 Storage in Lower temp.	Storage in -40 °C ± 2 °C test box for 240 hours , then expose to the room temperature for 2 hours without applying power.
2-3 Storage in Humidity	Storage in +40 °C ± 2 °C 90-95%RH test box for 96 hours, then expose to the room temperature for 2 hours without applying power.
2-4 Thermal cycle test.	 <p>Make this test for 5 cycles without applying power,then expose to the room temperature for 2 hours.</p>
2-5 Vibration test	 <p>Amplitude:1.5mm Time :1min/axis</p> <p>Make this test for the directions of X,Y, Z for 2 hours each (total 6 hours).</p>
2-6 Drop test	Free drop a unit from the height 100cm to the surface of 10mm thick board ,three directions(X,Y,Z).
2-7 Solderability test	Soldering temp.:260±5°C Heat applying time: 3±0.5sec.

PASS CRITERION :

After these tests , the change of S.P.L shall be within ±5 dB .

3.MEASURING METHOD(BUZZER MODE)

3-1 .Test Condition

3-1-1.STANDARD

Temperature : $25 \pm 3^{\circ}\text{C}$

Relative humidity : 60% ~ 70%,

Atmospheric pressure : 860mbar to 1060mbar

3-1-2.JUDGEMENT

Temperature : $15 \sim 35^{\circ}\text{C}$

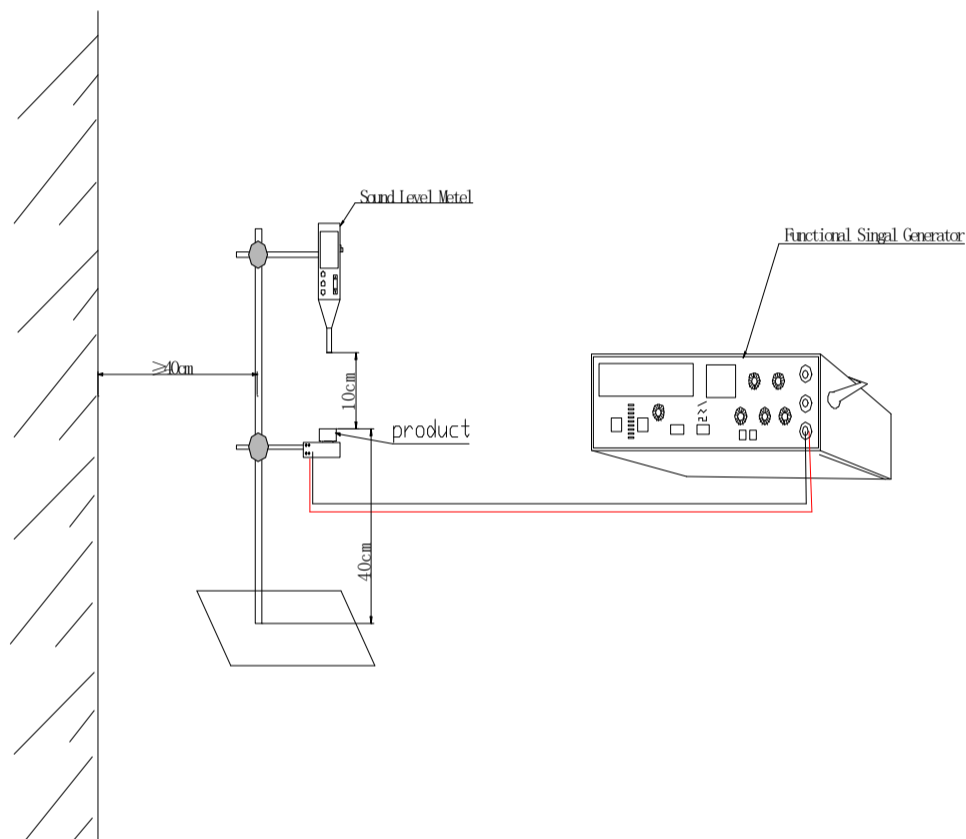
Relative humidity : 45% ~ 85%,

Atmospheric pressure : 860mbar to 1060mbar.

3-2 . Standard Test Fixture

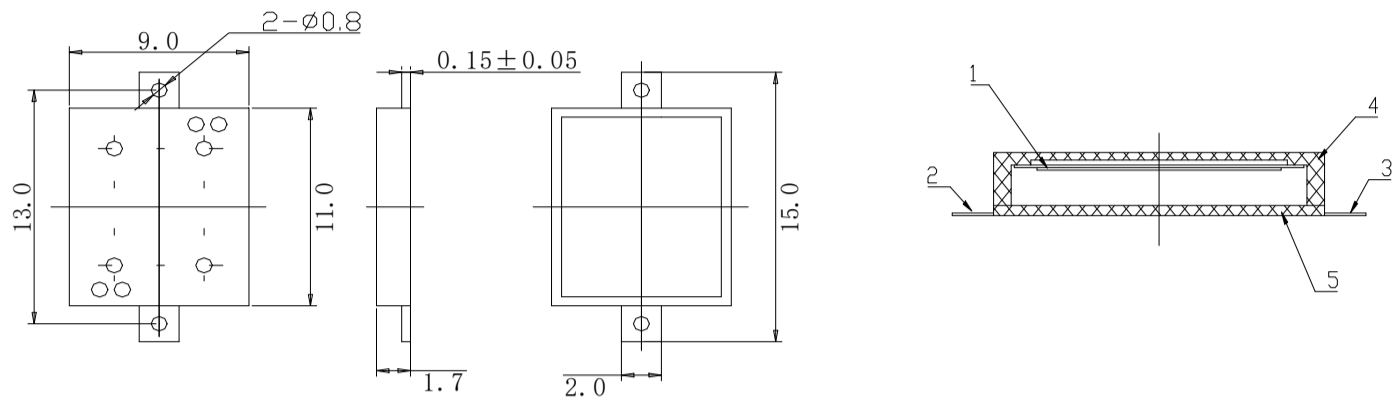
1.rated Voltage(Square wave):5V

2.Resonant Frequency:4100Hz



5.DIMENSIONS

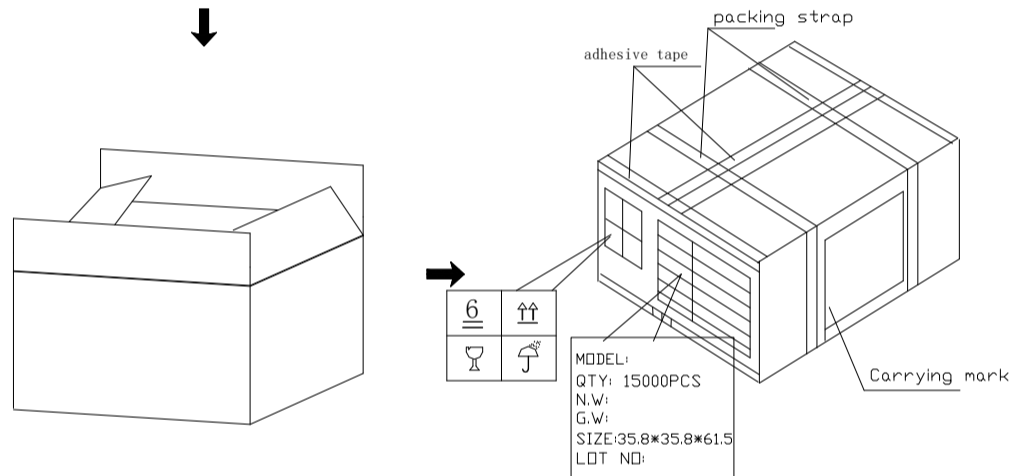
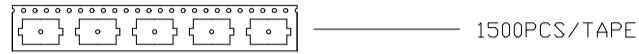
Unless otherwise specified, tolerance:±0.5(unit: mm)



- 1) All parts must be meet to ROHS.
- 2) Reflow solder allowed, wash not allowed.

7				
6				
5	Cover	1	LCP	
4	Housing	1	LCP	
3	Pin	1	Brass (DSn)	
2	Pin	1	Brass (DSn)	
1	Piezo element	1	Nickel	
Part No.	Part Name	Q'TY	Material	Remark

7.PACKING



box size:358x358x615mm;
7500x2=15000pcs/box